

# LIT-1700

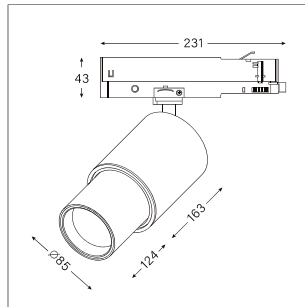
Rotatable cylindrical projector with built-in-track driver for three-circuit track installation. Adjustable beam angle, from spot (6°) to wide flood (50°). The ideal solution for spaces with changing exhibits and displays.

## LIT-1700 | Projectors | 3-Circuit Track



H(m)	Diameter(m)	(lx)
1.0	0.94	1698
2.0	1.89	424
3.0	2.83	189
4.0	3.78	106
5.0	4.72	68

■ C0-C180



Lumen, maintenance & failure rate	L70/B50 >60,000 hrs at 25°C
Body material	Aluminium body powder coating
Dimensions & Weight	H 124-163mm D 85mm 9.73 kg
Colors	Check colors index
Power supply	Electronic driver
Reflector	Adjustable optical lens
Swivel angles	350° horizontal, 90° vertical

Customizable on request



\*Longer lead time

Code	LED Lumen	Luminaire Lumen	Efficiency	LED Wattage	Color Temperature	Beam Angle
560435X	2300 lm	781 lm	44.6lm/w	17.5W	3000k	6°/50°
560735X	2677 lm	909 lm	42.6lm/w	21.3W	3000k	6°/50°
560435Y	2347 lm	797 lm	45.5lm/w	17.5W	4000k	6°/50°
560735Y	2731 lm	1058 lm	49.6lm/w	21.3W	4000k	6°/50°



Code	White	Black
X	1	7
Y	2	8