

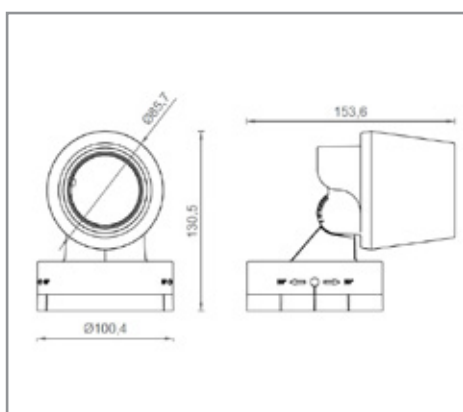
LIT-19100




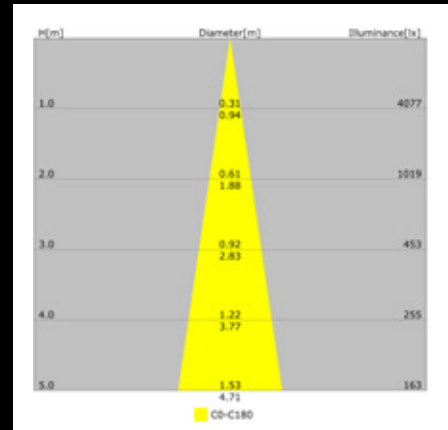
Adjustable projector for installation on ceiling, wall or floor. Die-cast aluminum body, aluminum reflector and glass diffuser. Body rotation vertical 90° and horizontal $\pm 30^\circ$

APPLICATIONS

Landscape, fence and façade lighting



       	
LUMEN, MAINTENANCE & FAILURE RATE	L90/ B10 >80,000 hrs
BODY MATERIAL	Die-cast Aluminium body
REFLECTOR	High purity Aluminum
DIMENSION	130x100x154mm
COLORS	Grey
DIFFUSER	Tempered Clear Glass
POWER SUPPLY	Electronic Driver



CODE	LED LUMEN	LUMINAIRE LUMEN	EFFICIENCY	LED WATTAGE	COLOR TEMPERATURE	BEAM ANGLE
4433214	1316lm	899lm	99.9lm/w	9.0W	3000K	°17
4433215	1388lm	948lm	105.4lm/w	9.0W	4000K	°17

* SPECIAL BEAM ANGLES: AVAILABLE ON REQUEST (Longer lead time and minimum quantity order)