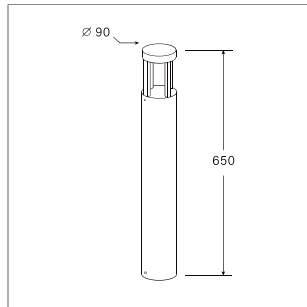
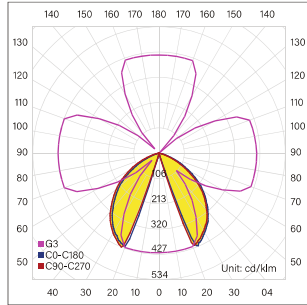
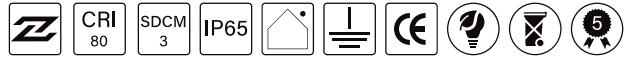


# LIT-10200

Shielded bollard with radially symmetric light distribution. It's simple yet elegant design allows it to perfectly blend into any landscape architecture. An ideal choice for entrances, pathways and garden illumination.

## LIT-10200 | Bollards



Lumen, maintenance & failure rate	L90/B10 >80,000 hrs at 45°C
Body material	Aluminium body powder coating
Dimensions & Weight	H 650mm D 90mm 1.64 kg
Colors	Dark grey
Diffuser	Clear glass
Power supply	Electronic driver

Code	LED lumen	Luminaire lumen	Efficiency	LED wattage	Color temperature	Beam angle
4805404	1316 lm	773 lm	85.9lm/w	9.0W	3000k	Diffuse
4805405	1388 lm	815 lm	90.6lm/w	9.0W	4000k	Diffuse

### Related Products:

LIT-22200



311

LIT-16100



293