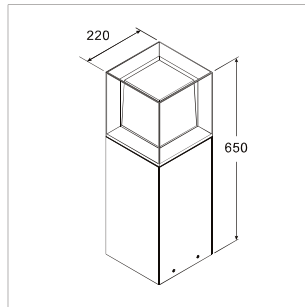
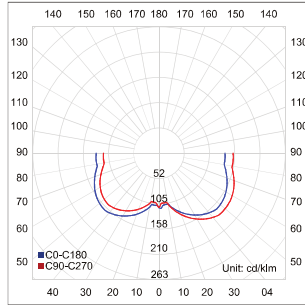


# LIT-10600

Unshielded bollard with an opal diffuser distributing light symmetrically and uniformly. Ideal for illuminating large outdoor spaces in both private and public areas.

## LIT-10600 | Bollards



Lumen, maintenance & failure rate	L80/B20 >80,000 hrs
Body material	Aluminium body powder coated
Dimension	220 x 220 x 650mm
Colors	Dark Grey
Diffuser	Opal
Power supply	Electronic Driver

Code	LED lumen	Luminaire lumen	Efficiency	LED wattage	Color temperature	Beam angle
4819634	2840 lm	1000 lm	51.8lm/w	19.3W	3000k	Diffuse
4829635	2980 lm	1050 lm	54.4lm/w	19.3W	4000k	Diffuse