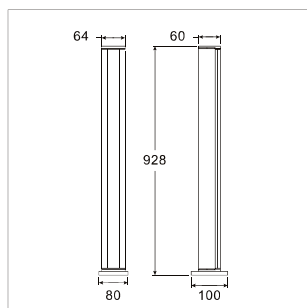
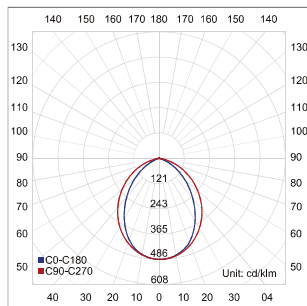
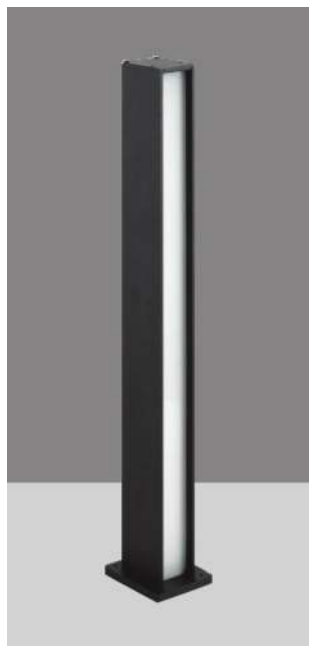


# LIT-10700

Unshielded bollard with one-sided light emission. Characterized by a modern design and a linear silhouette, it perfectly adapts to contemporary landscapes. Ideal for illuminating entrances, pathways and gardens.

## LIT-10700 | Bollards



Lumen, maintenance & failure rate	L80/F10 >60,000 hrs
Body material	Aluminum body powder coated
Dimension	928 x 64 x 60mm
Colors	Dark Grey
Diffuser	Opal
Power supply	Electronic Driver
Replace model	LIT-B1090

Customizable on request



\*Longer lead time

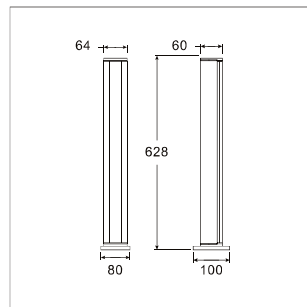
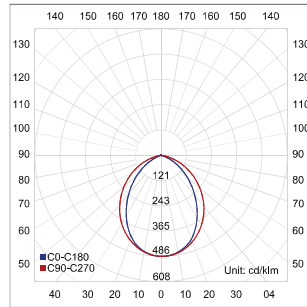
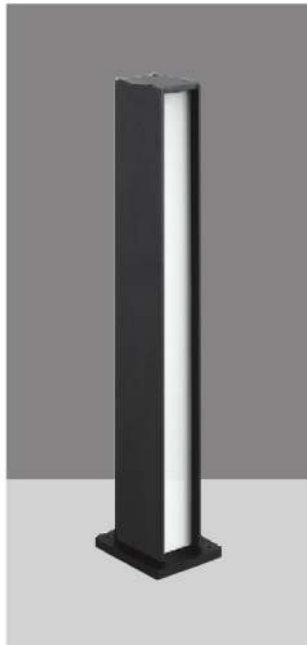
Code	LED lumen	Luminaire lumen	Efficiency	LED wattage	Color temperature	Beam angle
4861234	2820 lm	1215 lm	71lm/w	17.1W	3000k	Diffuse
4892214	3500 lm	1505 lm	76lm/w	19.8W	3000k	Diffuse
48B2224	4050 lm	1745 lm	74.5lm/w	23.4W	3000k	Diffuse
4861235	2955 lm	1275 lm	74.5lm/w	17.1W	4000k	Diffuse
4892215	3660 lm	1575 lm	79.5lm/w	19.8W	4000k	Diffuse
48B2225	4240 lm	1825 lm	78lm/w	23.4W	4000k	Diffuse



# LIT-10700

Unshielded bollard with one-sided light emission. Characterized by a modern design and a linear silhouette, it perfectly adapts to contemporary landscapes. Ideal for illuminating entrances, pathways and gardens.

## LIT-10700 | Bollards



Lumen, maintenance & failure rate	L80/F10 >72,000 hrs
Body material	Aluminum body powder coated
Dimension	628 x 64 x 60mm
Colors	Dark Grey
Diffuser	Opal
Power supply	Electronic Driver
Replace model	LIT-B1060

Customizable on request

\*Longer lead time

Code	LED lumen	Luminaire lumen	Efficiency	LED wattage	Color temperature	Beam angle
4831134	1880 lm	810 lm	71lm/w	11.4W	3000k	Diffuse
4852114	2330 lm	1005 lm	76.1lm/w	13.2W	3000k	Diffuse
4862124	2700 lm	1165 lm	74.6lm/w	15.6W	3000k	Diffuse
4831135	1970 lm	850 lm	74.5lm/w	11.4W	4000k	Diffuse
4852115	2440 lm	1050 lm	79.5lm/w	13.2W	4000k	Diffuse
4862125	2830 lm	1220 lm	78.2lm/w	15.6W	4000k	Diffuse

