

LIT-1100

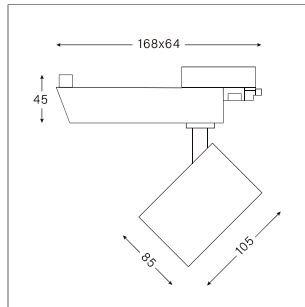
Cylindrical projector for three-circuit track application that can be rotated and tilted to direct lighting. The higher lumen range and functional design provide a practical solution for illuminating large spaces with high ceilings.

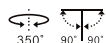
LIT-1100 | Projectors | 3-Circuit Track



H(m)	Diameter(m)	(lx)
1.0	0.67	13126
2.0	1.34	3281
3.0	2.01	1458
4.0	2.69	820
5.0	3.36	525

■ Co-C180



Lumen, maintenance & failure rate	L90/B10 >70,000 hrs 25°C
Body material	Aluminium body powder coating
Dimensions & Weight	H 105mm D 85mm 1.00 kg
Colors	Check colors index
Diffuser	Clear glass
Power supply	Electronic driver
Reflector	High purity aluminium
Swivel angles	350° horizontal, 90° vertical 

Customizable on request

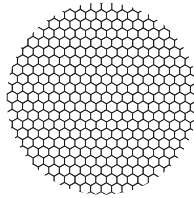


*Longer lead time



Code	LED Lumen	Luminaire Lumen	Efficiency	LED Wattage	Color Temperature	Beam Angle
561431X	2700 lm	1784 lm	102.0lm/w	17.5W	3000k	15°
561433X	2700 lm	1784 lm	102.0lm/w	17.5W	3000k	45°
561731X	3143 lm	2078 lm	97.6lm/w	21.3W	3000k	15°
561733X	3143 lm	2078 lm	97.6lm/w	21.3W	3000k	45°
561531X	3588 lm	2373 lm	93.8lm/w	25.3W	3000k	15°
561533X	3588 lm	2373 lm	93.8lm/w	25.3W	3000k	45°
561631X	4617 lm	3050 lm	95.9lm/w	31.8W	3000k	15°
561633X	4617 lm	3050 lm	95.9lm/w	31.8W	3000k	45°
561431Y	2851 lm	1884 lm	107.7lm/w	17.5W	4000k	15°
561433Y	2851 lm	1884 lm	107.7lm/w	17.5W	4000k	45°
561731Y	3318 lm	2193 lm	103.0lm/w	21.3W	4000k	15°
561733Y	3318 lm	2193 lm	103.0lm/w	21.3W	4000k	45°
561531Y	3788 lm	2503 lm	99.0lm/w	25.3W	4000k	15°
561533Y	3788 lm	2503 lm	99.0lm/w	25.3W	4000k	45°
561631Y	4848 lm	3205 lm	100.7lm/w	31.8W	4000k	15°
561633Y	4848 lm	3205 lm	100.7lm/w	31.8W	4000k	45°

Accessories	Honeycomb
Code	HC1
Technical Data	Modifies the lighting distribution to achieve higher visual comfort.
Body material	Aluminium
Color	Black



Code	White	Black
X	1	7
Y	2	8





