

LIT-1300

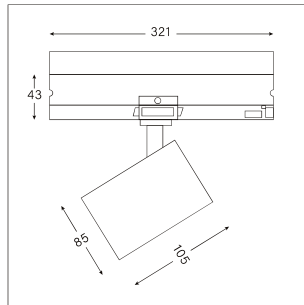
Cylindrical projector with built-in-track driver for three-circuit track installation. Rotatable, tiltable body for directional lighting. The higher lumen provides a practical solution for illuminating spaces with high ceilings.

LIT-1300 | Projectors | 3-Circuit Track



H(m)	Diameter(m)	(lx)
1.0	0.67	13126
2.0	1.34	3281
3.0	2.01	1458
4.0	2.69	820
5.0	3.36	525

■ Co-C180



Lumen, maintenance & failure rate	L90/F10 >70,000 hrs at 25°C
Body material	Aluminium body powder coating
Dimensions & Weight	H 105mm D 85mm 0.60 kg
Colors	Check colors index
Diffuser	Clear glass
Power supply	Electronic driver
Reflector	High purity aluminium
Swivel angles	350° horizontal, 90° vertical

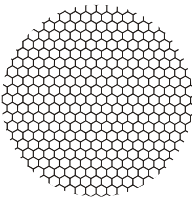
Customizable on request



*Longer lead time



Code	LED Lumen	Luminaire Lumen	Efficiency	LED Wattage	Color Temperature	Beam Angle
560431X	2700 lm	1784 lm	102.0lm/w	17.5W	3000k	15°
560433X	2700 lm	1784 lm	102.0lm/w	17.5W	3000k	45°
560731X	3143 lm	2078 lm	97.6lm/w	21.3W	3000k	15°
560733X	3143 lm	2078 lm	97.6lm/w	21.3W	3000k	45°
560531X	3588 lm	2373 lm	93.8lm/w	25.3W	3000k	15°
560533X	3588 lm	2373 lm	93.8lm/w	25.3W	3000k	45°
560631X	4617 lm	3050 lm	95.9lm/w	31.8W	3000k	15°
560633X	4617 lm	3050 lm	95.9lm/w	31.8W	3000k	45°
560431Y	2851 lm	1884 lm	107.7lm/w	17.5W	4000k	15°
560433Y	2851 lm	1884 lm	107.7lm/w	17.5W	4000k	45°
560731Y	3318 lm	2192 lm	102.9lm/w	21.3W	4000k	15°
560733Y	3318 lm	2192 lm	102.9lm/w	21.3W	4000k	45°
560531Y	3788 lm	2503 lm	100.0lm/w	25.3W	4000k	15°
560533Y	3788 lm	2503 lm	100.0lm/w	25.3W	4000k	45°
560631Y	4848 lm	3205 lm	100.7lm/w	31.8W	4000k	15°
560633Y	4848 lm	3205 lm	100.7lm/w	31.8W	4000k	45°

Accessories	Honeycomb	
Code	HC1	
Technical Data	Modifies the lighting distribution to achieve higher visual comfort.	
Body material	Aluminium	
Color	Black	

Code	White	Black
X	1	7
Y	2	8

