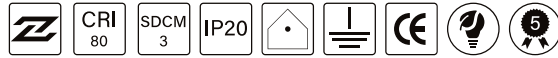


LIT-1500

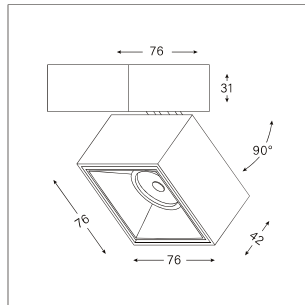
Adjustable square-shaped surface-mounted projector with a rotatable and tiltable body. Architectural accent lighting that elegantly integrates into the design of the space.

LIT-1500 | Projectors | Ceiling



H(m)	Diameter(m)	(lx)
1.0	0.68	1430
2.0	1.37	357
3.0	2.05	159
4.0	2.74	89
5.0	3.42	57

■ Co-C180



Lumen, maintenance & failure rate	L90/B10 >80,000 hrs at 25°C
Body material	Aluminium body powder coating
Dimensions & Weight	76 x 76 x 85mm 0.40 kg
Colors	Check colors index
Diffuser	Clear glass
Power supply	Electronic driver
Reflector	High purity aluminium
Swivel angles	350° horizontal, 90° vertical

Customizable on request

*Longer lead time

Code	LED Lumen	Luminaire Lumen	Efficiency	LED Wattage	Color Temperature	Beam Angle
591222X	1316 lm	926 lm	102.9lm/w	9.0W	3000k	36°
591322X	1724 lm	1218 lm	93.7lm/w	13.0W	3000k	36°
591222Y	1388 lm	980 lm	108.9lm/w	9.0W	4000k	36°
591322Y	1819 lm	1282 lm	98.6lm/w	13.0W	4000k	36°

Code	White	Black
X	1	7
Y	2	8

