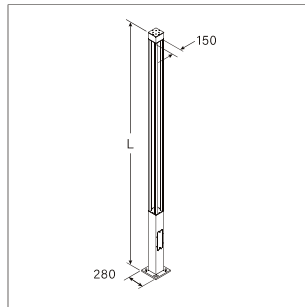
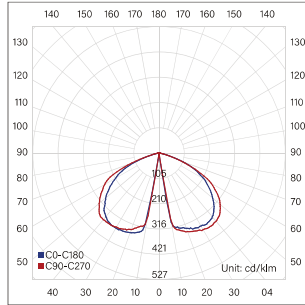
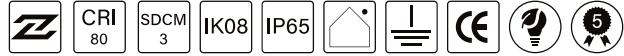


# LIT-22100

Light column with a square cross-section, robust and durable, it is built to withstand demanding exterior conditions. Used for general outdoor lighting applications.

## LIT-22100 | Light Columns

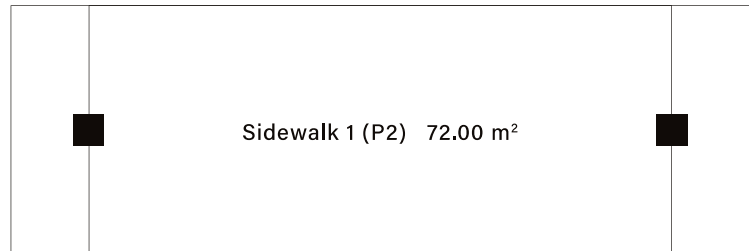


Lumen, maintenance & failure rate	L70/B50 >64,000 hrs at 45°C
Body material	Aluminium body
Dimensions & Weight	Length x 150mm x 150mm    25.70 kg
Colors	Dark Grey
Diffuser	Clear glass
Power supply	Electronic driver
Reflector	Optical lens

Code	LED lumen	Luminaire lumen	Efficiency	LED wattage	Color temperature	Length
4604007	6484 lm	2819 lm	67.1lm/w	42W	3000k	3000mm
4604008	6828 lm	2968 lm	70.6lm/w	42W	4000k	3000mm
4604017	6484 lm	2819 lm	67.1lm/w	42W	3000k	4000mm
4604018	6828 lm	2968 lm	70.6lm/w	42W	4000k	4000mm

H	I	W	EAV	EMIN	Glare index	Classe
4 m	18 m	4 m	12.52 lx	2.46 lx	D3	P2

W	Pathway wideness (m)
I	Poles interdistance (m)
H	Pole height (m)
EAV	Average illuminance
EMIN	Minimum illuminance



### Related Products:



