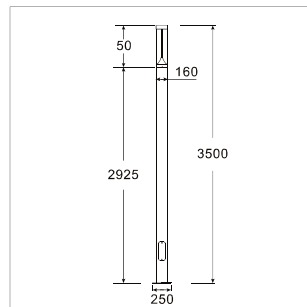
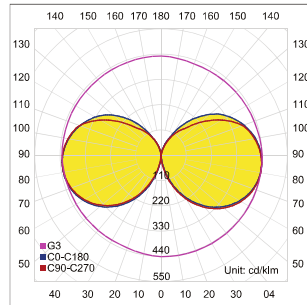
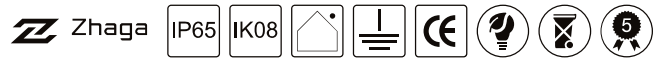


LIT-22300

Light column with an opal cone diffuser emitting light in 360°. Characterized by a unique design aesthetic, it perfectly adapts to any landscape architecture.

LIT-22300 | Light Columns



| | |
|-----------------------------------|------------------------|
| Lumen, maintenance & failure rate | L70/B50 >60,000 hrs |
| Body material | Aluminium body |
| Dimension | Length x D 160mm |
| Colors | Dark Grey |
| Diffuser | Clear PC - Opal PC |
| Power supply | Electronic Driver |
| Reflector | Optical lens |

Clear Diffuser

| Code | LED lumen | Luminaire lumen | Efficiency | LED wattage | Color temperature | Length |
|---------|-----------|-----------------|------------|-------------|-------------------|--------|
| 4606207 | 3630 lm | 2000 lm | 79.3lm/w | 25.2W | 3000k | 3500mm |
| 4606208 | 3630 lm | 2000 lm | 79.3lm/w | 25.2W | 4000k | 3500mm |

Opal Diffuser

| Code | LED lumen | Luminaire lumen | Efficiency | LED wattage | Color temperature | Length |
|---------|-----------|-----------------|------------|-------------|-------------------|--------|
| 3816127 | 5606 lm | 2845 lm | 83.7lm/w | 34W | 3000k | 3500mm |
| 3816128 | 5827 lm | 2957 lm | 86.7lm/w | 34W | 4000k | 3500mm |
| 3816107 | 7488 lm | 3800 lm | 80.8lm/w | 47W | 3000k | 3500mm |
| 3816108 | 7888 lm | 4003 lm | 85.2lm/w | 47W | 4000k | 3500mm |

| H | I | W | EAV | EMIN | Glare index | Classe |
|-------|------|-----|----------|---------|-------------|--------|
| 3.5 m | 15 m | 4 m | 11.47 lx | 2.16 lx | D5 | P2 |

| | |
|------|-------------------------|
| W | Pathway wideness (m) |
| I | Poles interdistance (m) |
| H | Pole height (m) |
| EAV | Average illuminance |
| EMIN | Minimum illuminance |

