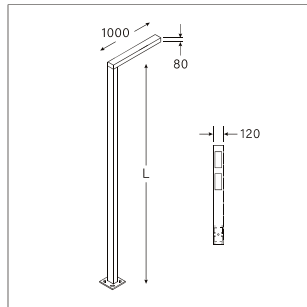
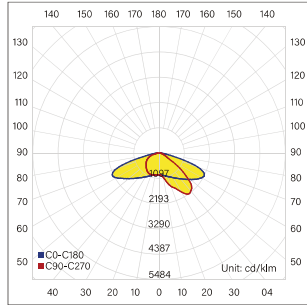
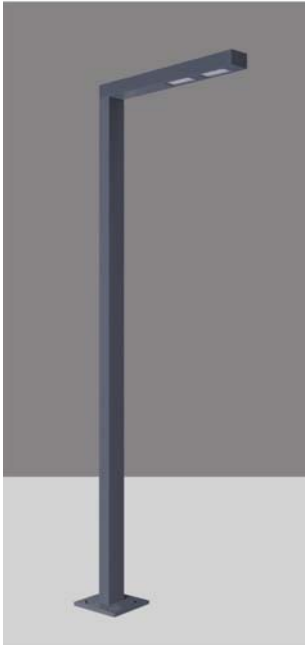
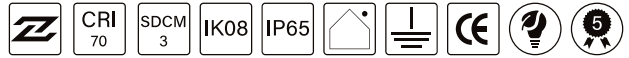


LIT-22500

Modern single-armed light column that is an elegant lighting solutions that subtly complements its surroundings, seamlessly blends in outdoor architecture and landscape concepts.

LIT-22500 | Light Column | Single arm | 80x120



Lumen, maintenance & failure rate	L80/B20 >80,000 hrs at 45°C
Body material	Extruded aluminium body
Dimensions & Weight	1000 x 120 x 80mm 39.5 kg
Colors	Dark grey
Power supply	Electronic driver
Reflector	Optical lens

Code	LED lumen	Luminaire lumen	Efficiency	LED wattage	Color temperature	Length
4618417	7100 lm	6266 lm	125.6lm/w	49.9W	3000k	4000mm
4618418	7250 lm	6398 lm	128.2lm/w	49.9W	4000k	4000mm



W	I	H	LM	U0	UI	TTI	TIL	Classe
8m	20m	4m (49.9w)	2.68	0.62	0.64	22	0	M3
10m	25m	5m (49.9w)	1.62	0.68	0.61	15	0	M3
10m	32m	6m (49.9w)	1.2	0.64	0.62	13	0	M3
15m	25m	5m (49.9w)	1.17	0.45	0.61	13	0	M3
15m	25m	5m (49.9w)	2.35	0.45	0.61	15	0	M3
15m	28m	6m (49.9w)	1.06	0.64	0.62	13	0	M3
15m	28m	6m (49.9w)	2.13	0.64	0.62	15	0	M3

W	Street wideness (m)
I	Poles interdistance (m)
H	Pole height (m)
LM	Average illuminance (CD/M2)
UO	General uniformity
UI	Longitudinal uniformity
TTI	Glare factor (%)
TIL	Inclination angle (x°)

Related Products:

LIT-10500

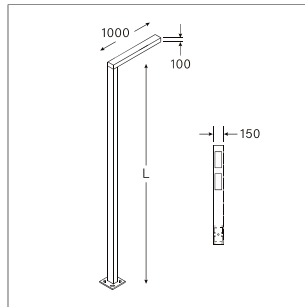
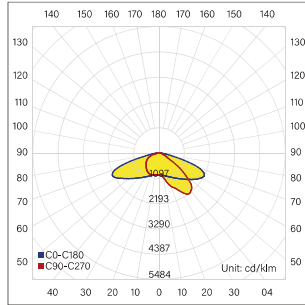
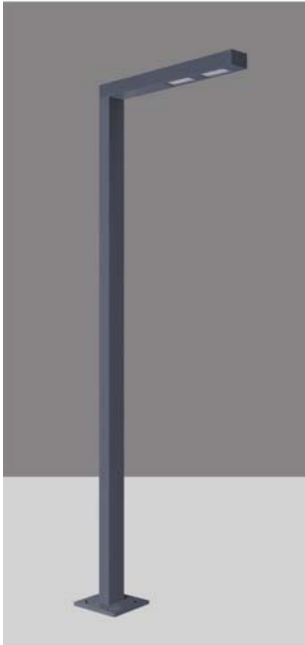


273

LIT-22500

Modern single-armed light column that is an elegant lighting solutions that subtly complements its surroundings, seamlessly blends in outdoor architecture and landscape concepts.

LIT-22500 | Light Column | Single arm | 100x150



Lumen, maintenance & failure rate	L80/B20 >80,000 hrs at 45°C
Body material	Extruded aluminium body
Dimensions & Weight	1000 x 150 x 100mm 57.4 kg
Colors	Dark grey
Power supply	Electronic driver
Reflector	Optical lens

Code	LED lumen	Luminaire lumen	Efficiency	LED wattage	Color temperature	Length
3819017	7100 lm	6266 lm	125.6lm/w	49.9W	3000k	4000mm
3819018	7250 lm	6398 lm	128.2lm/w	49.9W	4000k	4000mm
3820017	7100 lm	6266 lm	125.6lm/w	49.9W	3000k	5000mm
3820018	7250 lm	6398 lm	128.2lm/w	49.9W	4000k	5000mm
3821017	14200 lm	12532 lm	125.6lm/w	99.8W	3000k	5000mm
3821018	14500 lm	12797 lm	128.2lm/w	99.8W	4000k	5000mm
3814017	7100 lm	6266 lm	125.6lm/w	49.9W	3000k	6000mm
3814018	7250 lm	6398 lm	128.2lm/w	49.9W	4000k	6000mm
3815017	14200 lm	12532 lm	125.6lm/w	99.8W	3000k	6000mm
3815018	14500 lm	12797 lm	128.2lm/w	99.8W	4000k	6000mm
3822017	14200 lm	12532 lm	125.6lm/w	99.8W	3000k	8000mm
3822018	14500 lm	12797 lm	128.2lm/w	99.8W	4000k	8000mm

W	I	H	LM	U0	UI	TTI	TIL	Classe
8m	20m	4m (49.9w)	2.68	0.62	0.64	22	0	M3
10m	25m	5m (49.9w)	1.62	0.68	0.61	15	0	M3
10m	32m	6m (49.9w)	1.2	0.64	0.62	13	0	M3
15m	25m	5m (49.9w)	1.17	0.45	0.61	13	0	M3
15m	25m	5m (49.9w)	2.35	0.45	0.61	15	0	M3
15m	28m	6m (49.9w)	1.06	0.64	0.62	13	0	M3
15m	28m	6m (49.9w)	2.13	0.64	0.62	15	0	M3

W	Street wideness (m)
I	Poles interdistance (m)
H	Pole height (m)
LM	Average illuminance (CD/M2)
UO	General uniformity
UI	Longitudinal uniformity
TTI	Glare factor (%)
TIL	Inclination angle (x°)

Related Products:

LIT-10500



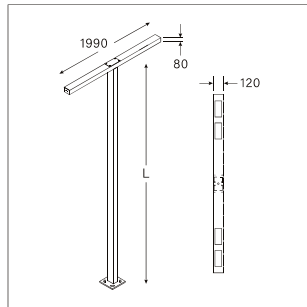
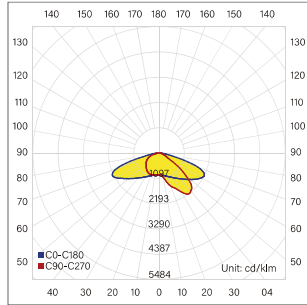
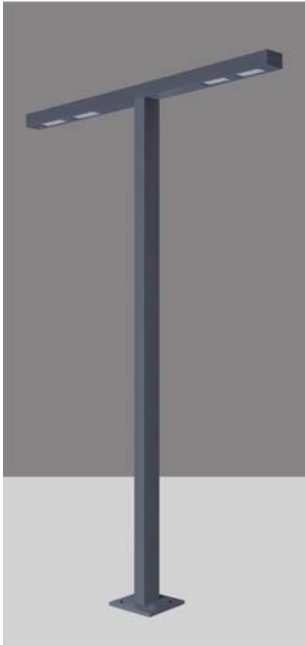
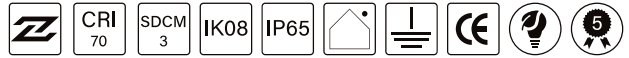
273



LIT-22500

Modern double-armed light column that is an elegant lighting solutions that subtly complements its surroundings, seamlessly blends in outdoor architecture and landscape concepts.

LIT-22500 | Light Column | Double arm | 80x120



Lumen, maintenance & failure rate	L80/B20 >80,000 hrs at 45°C
Body material	Extruded aluminium body
Dimensions & Weight	1990 x 120 x 80mm 47.5 kg
Colors	Dark grey
Power supply	Electronic driver
Reflector	Optical lens

Code	LED lumen	Luminaire lumen	Efficiency	LED wattage	Color temperature	Length
4648517	2x7100 lm	2x6266 lm	125.6lm/w	2x49.9W	3000k	4000mm
4648518	2x7250 lm	2x6398 lm	128.2lm/w	2x49.9W	4000k	4000mm



W	I	H	LM	U0	UI	TTI	TIL	Classe
8m	20m	4m (49.9w)	2.68	0.62	0.64	22	0	M3
10m	25m	5m (49.9w)	1.62	0.68	0.61	15	0	M3
10m	32m	6m (49.9w)	1.2	0.64	0.62	13	0	M3
15m	25m	5m (49.9w)	1.17	0.45	0.61	13	0	M3
15m	25m	5m (49.9w)	2.35	0.45	0.61	15	0	M3
15m	28m	6m (49.9w)	1.06	0.64	0.62	13	0	M3
15m	28m	6m (49.9w)	2.13	0.64	0.62	15	0	M3

W	Street wideness (m)
I	Poles interdistance (m)
H	Pole height (m)
LM	Average illuminance (CD/M2)
UO	General uniformity
UI	Longitudinal uniformity
TTI	Glare factor (%)
TIL	Inclination angle (x°)

Related Products:

LIT-10500

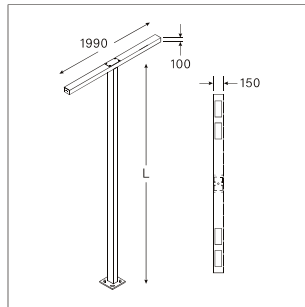
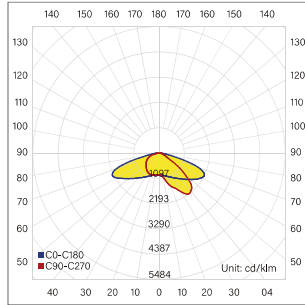
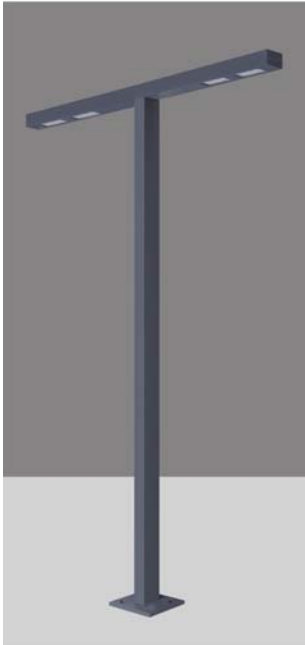


273

LIT-22500

Modern double-armed light column that is an elegant lighting solutions that subtly complements its surroundings, seamlessly blends in outdoor architecture and landscape concepts.

LIT-22500 | Light Column | Double arm | 100x150



Lumen, maintenance & failure rate	L80/B20 >80,000 hrs at 45°C
Body material	Extruded aluminium body
Dimensions & Weight	1990 x 150 x 100mm 68.7 kg
Colors	Dark grey
Power supply	Electronic driver
Reflector	Optical lens

Code	LED lumen	Luminaire lumen	Efficiency	LED wattage	Color temperature	Length
3823017	2x7100 lm	2x6266 lm	125.6lm/w	2x49.9W	3000k	4000mm
3823018	2x7250 lm	2x6398 lm	128.2lm/w	2x49.9W	4000k	4000mm
3824017	2x7100 lm	2x6266 lm	125.6lm/w	2x49.9W	3000k	5000mm
3824018	2x7250 lm	2x6398 lm	128.2lm/w	2x49.9W	4000k	5000mm
3825017	2x14200 lm	2x12532 lm	125.6lm/w	2x99.8W	3000k	5000mm
3825018	2x14500 lm	2x12797 lm	128.2lm/w	2x99.8W	4000k	5000mm
3826017	2x7100 lm	2x6266 lm	125.6lm/w	2x49.9W	3000k	6000mm
3826018	2x7250 lm	2x6398 lm	128.2lm/w	2x49.9W	4000k	6000mm
3827017	2x14200 lm	2x12532 lm	125.6lm/w	2x99.8W	3000k	6000mm
3827018	2x14500 lm	2x12797 lm	128.2lm/w	2x99.8W	4000k	6000mm
3828017	2x14200 lm	2x12532 lm	125.6lm/w	2x99.8W	3000k	8000mm
3828018	2x14500 lm	2x12797 lm	128.2lm/w	2x99.8W	4000k	8000mm

W	I	H	LM	U0	UI	TTI	TIL	Classe
8m	20m	4m (49.9w)	2.68	0.62	0.64	22	0	M3
10m	25m	5m (49.9w)	1.62	0.68	0.61	15	0	M3
10m	32m	6m (49.9w)	1.2	0.64	0.62	13	0	M3
15m	25m	5m (49.9w)	1.17	0.45	0.61	13	0	M3
15m	25m	5m (49.9w)	2.35	0.45	0.61	15	0	M3
15m	28m	6m (49.9w)	1.06	0.64	0.62	13	0	M3
15m	28m	6m (49.9w)	2.13	0.64	0.62	15	0	M3

W	Street wideness (m)
I	Poles interdistance (m)
H	Pole height (m)
LM	Average illuminance (CD/M2)
UO	General uniformity
UI	Longitudinal uniformity
TTI	Glare factor (%)
TIL	Inclination angle (x°)

Related Products:

LIT-10500



273

