

# LIT-4110

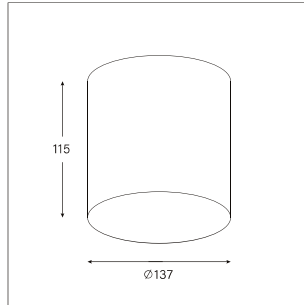
Surface-mounted cylindrical downlight featuring a minimal design. The mid-size solution within this range. Ideal for projects with challenging ceiling applications (e.g. concrete, no void).

## LIT-4110 | Surface Luminaires | Surface



H(m)	Diameter(m)	(lx)
1.0	0.87	2128
2.0	1.74	532
3.0	2.61	236
4.0	3.48	133
5.0	4.35	85

■ C0-C180



Lumen, maintenance & failure rate	L90/B10 >80,000 hrs at 25°C
Body material	Aluminium body powder coating
Dimensions & Weight	H 115mm D 137mm 0.42 kg
Colors	White
Diffuser	Clear PC
Power supply	Electronic driver
Reflector	High purity aluminium

Customizable on request



\*Longer lead time

Code	LED Lumen	Luminaire Lumen	Efficiency	LED Wattage	Color Temperature	Beam Angle
5652521	1316 lm	951 lm	105.7lm/w	9.0W	3000k	50°
5653521	1724 lm	1241 lm	95.5lm/w	13.0W	3000k	50°
5652522	1388 lm	1000 lm	111.2lm/w	9.0W	4000k	50°
5653522	1819 lm	1310 lm	100.8lm/w	13.0W	4000k	50°



