

LIT-4120

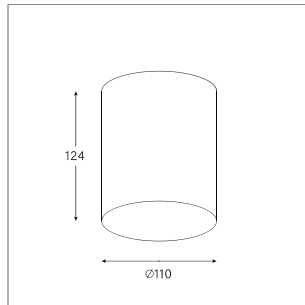
Surface-mounted cylindrical downlight featuring a minimal design. The smallest solution within this range. Ideal for projects with challenging ceiling applications (e.g. concrete, no void).

LIT-4120 | Surface Luminaires | Surface



H(m)	Diameter(m)	(lx)
1.0	0.66	3031
2.0	1.36	758
3.0	2.04	337
4.0	2.71	189
5.0	3.39	121

■ Co-C180



Lumen, maintenance & failure rate	L90/B10 >70,000 hrs at 25°C
Body material	Aluminium body powder coating
Dimensions & Weight	H 124mm D 110mm 0.56 kg
Colors	White
Diffuser	Clear PC
Power supply	Electronic driver
Reflector	High purity aluminium

Customizable on request

>90
CRI

Color
Temperature

*Longer lead time

Code	LED Lumen	Luminaire Lumen	Efficiency	LED Wattage	Color Temperature	Beam Angle
5652421	1394 lm	1136 lm	136.9lm/w	8.3W	3000k	38°
5653421	1918 lm	1564 lm	131.5lm/w	11.9W	3000k	38°
5652422	1472 lm	1200 lm	144.6lm/w	8.3W	4000k	38°
5653422	2025 lm	1647 lm	138.4lm/w	11.9W	4000k	38°



