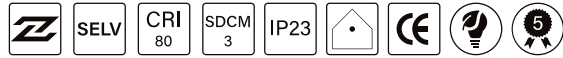


LIT-5210

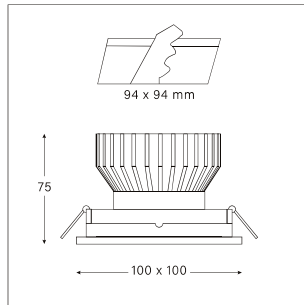
Single module adjustable recessed spotlight. Pivot angle of up to 15° for precise lighting. The compact size and lower lumen range provides a more subtle illumination. Overall dimensions of 100x100mm.

LIT-5210 | Rectangular spotlight | Recessed



H(m)	Diameter(m)	(lx)
1.0	0.67	1788
2.0	1.34	447
3.0	2.01	199
4.0	2.68	112
5.0	3.35	72

■ C0-C180



Lumen, maintenance & failure rate	L90/B10 >80,000 hrs at 25°C
Body material	Aluminium body powder coating
Dimensions & Weight	100 x 100 x 75mm 0.42 kg
Colors	White
Diffuser	Clear glass
Power supply	Electronic driver
Reflector	High purity aluminium

Customizable on request



*Longer lead time

Code	LED Lumen	Luminaire Lumen	Efficiency	LED Wattage	Color Temperature	Beam Angle
5681121	990 lm	860 lm	136.5lm/w	6.3W	3000k	36°
5682121	1316 lm	1141 lm	126.8lm/w	9.0W	3000k	36°
5683121	1724 lm	1497 lm	115.2lm/w	13.0W	3000k	36°
5681122	1044 lm	908 lm	144.1lm/w	6.3W	4000k	36°
5682122	1388 lm	1204 lm	133.8lm/w	9.0W	4000k	36°
5683122	1819 lm	1579 lm	121.5lm/w	13.0W	4000k	36°

