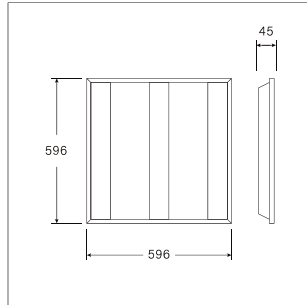
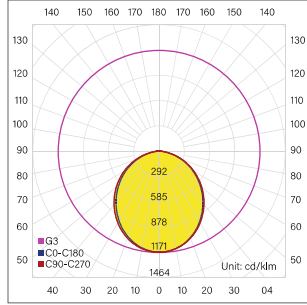


# LIT-6110

Recessed panel with flat "louver" design. Homogeneous illumination for high visual comfort. Ideal for general lighting application in workplaces, healthcare and educational facilities.

## LIT-6110 | Lighting Panels | Recessed



Lumen, maintenance & failure rate	L80/F10 >72,000 hrs at 25°C
Body material	Steel Sheet, electrostatically painted
Dimensions & Weight	596 x 596 x 45mm <span style="float: right;">5.20 kg</span>
Colors	White
Diffuser	Opal
Power supply	Electronic driver
Reflector	White steel sheet

Customizable on request

\*Longer lead time

Code	LED Lumen	Luminaire Lumen	Efficiency	LED Wattage	Color Temperature	Beam Angle
5723431	4050 lm	3015 lm	128.8lm/w	23.4W	3000k	Diffuse
5724631	5640 lm	4200 lm	122.8lm/w	34.2W	3000k	Diffuse
5723441	4230 lm	3150 lm	134.6lm/w	23.4W	4000k	Diffuse
5724641	5910 lm	4400 lm	128.6lm/w	34.2W	4000k	Diffuse



