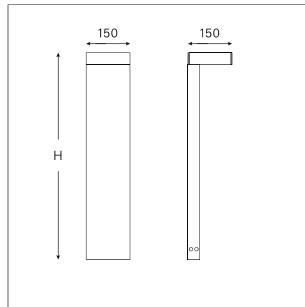
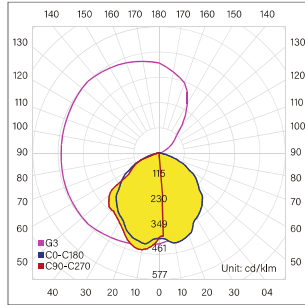


# LIT-10500

Shielded L-shaped bollard with asymmetric light distribution and a modern design. It provides high visual comfort while illuminating ground surfaces in entrances, pathways, and gardens.

## LIT-10500 | Bollards



Lumen, maintenance & failure rate	L80/F10 >72,000 hrs at 45°C
Body material	Aluminium body
Dimensions & Weight	H x 40 x 150mm      2.53 kg per 70cm
Colors	Dark grey
Diffuser	Clear glass
Power supply	Electronic driver
Reflector	Aluminium reflector

### Related Products:



### Length: 700mm

Code	LED lumen	Luminaire lumen	Efficiency	LED wattage	Color temperature	Beam angle
4021524	1376 lm	805 lm	100.6lm/w	8.0W	3000k	Asymmetrical
4021525	1388 lm	812 lm	101.5lm/w	8.0W	4000k	Asymmetrical

### Length: 1000mm

Code	LED lumen	Luminaire lumen	Efficiency	LED wattage	Color temperature	Beam angle
4021624	1376 lm	805 lm	100.6lm/w	8.0W	3000k	Asymmetrical
4021625	1388 lm	812 lm	101.5lm/w	8.0W	4000k	Asymmetrical

