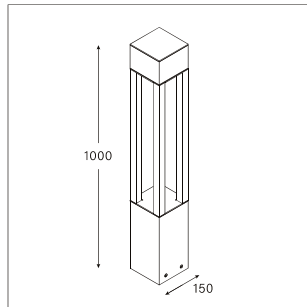
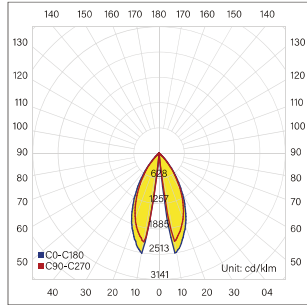
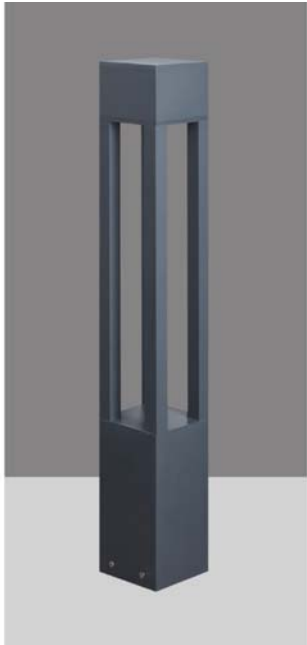
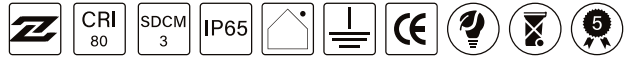


LIT-11100

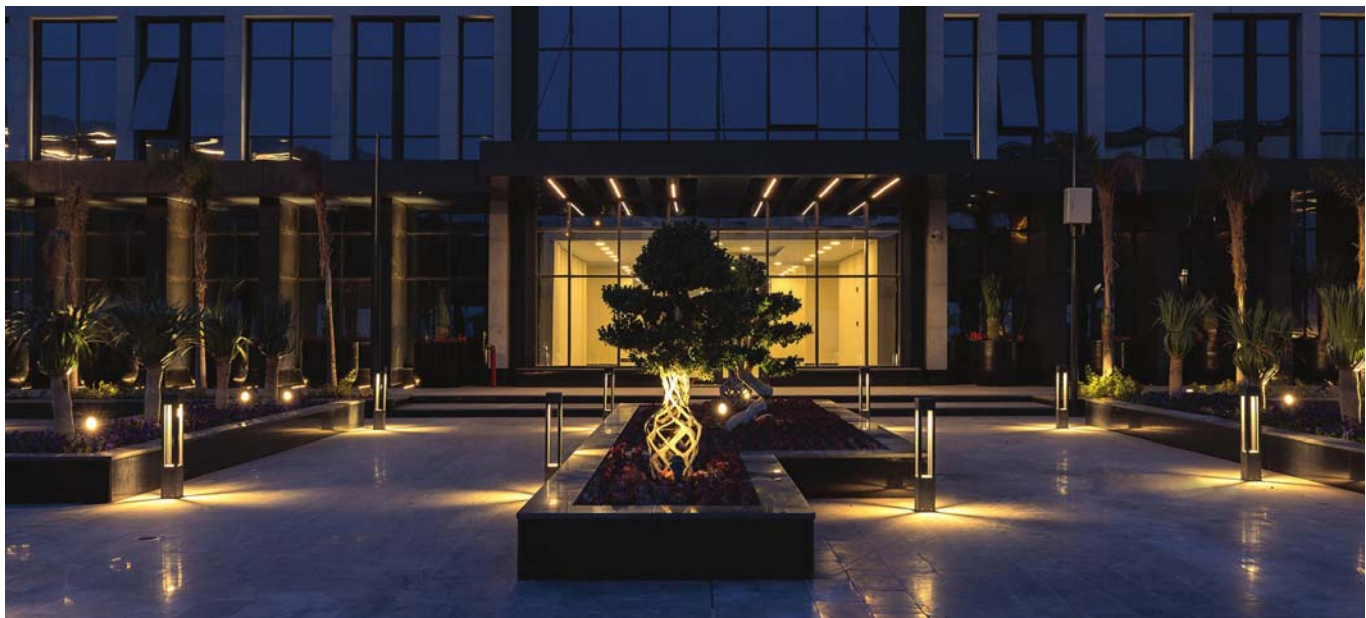
Unshielded bollard with one-sided light emission. Characterized by a modern design and a linear silhouette, it perfectly adapts to contemporary landscapes. Ideal for illuminating entrances, pathways and gardens.

LIT-11100 | Bollards



Lumen, maintenance & failure rate	L80/B20 >70,000 hrs at 45°C
Body material	Aluminium body powder coating
Dimensions & Weight	150 x 150 x 1000mm 7.30 kg
Colors	Dark grey
Diffuser	Glass
Power supply	Electronic driver
Reflector	Optical lens

Code	LED lumen	Luminaire lumen	Efficiency	LED wattage	Color temperature	Beam angle
4054944	3075 lm	1457 lm	69.4lm/w	21.0W	3000k	60°
4054945	3247 lm	1538 lm	73.2lm/w	21.0W	4000k	60°



Related Products:



309

355

351