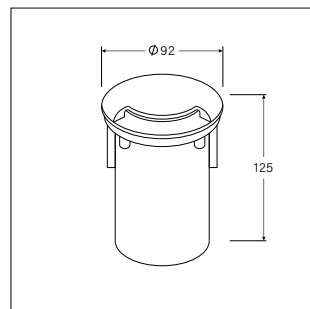
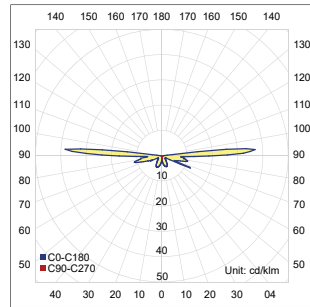
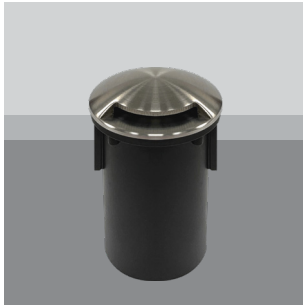


# LIT-14200

Durable drive over uplight, semi-recessed in-ground installation. Perfect for adding marker lights with optional one or multiple light-emission directions in pathways, walkways, or streetscapes for accenting certain areas.

## LIT-14200 | Outdoor Uplights | Recessed



Lumen, maintenance & failure rate	L70/B50 >60,000 hrs
Body material	Stainless steel body and cover
Dimension	H 125mm D 92mm
Colors	Stainless steel
Diffuser	Optical lens
Power supply	Electronic driver

Code	LED lumen	Luminaire lumen	Efficiency	LED wattage	Color temperature	Beam angle
3300994	316 lm	14 lm	5.8lm/w	2.4W	3000k	1 direction
3300995	323 lm	15 lm	6.3lm/w	2.4W	4000k	1 direction
3301994	316 lm	33 lm	13.8lm/w	2.4W	3000k	2 directions
3301995	323 lm	34 lm	14.2lm/w	2.4W	4000k	2 directions
3302994	316 lm	33 lm	13.8lm/w	2.4W	3000k	3 directions
3302995	323 lm	34 lm	14.2lm/w	2.4W	4000k	3 directions
3303994	316 lm	38 lm	15.8lm/w	2.4W	3000k	4 directions
3303995	323 lm	39 lm	16.3lm/w	2.4W	4000k	4 directions

