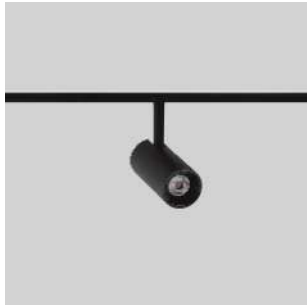
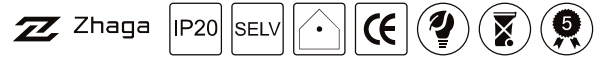


LIT-1710

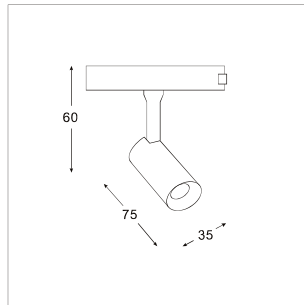
Cylindrical, slim projector installed on magnetic tracks. This versatile solution directs light exactly where it's needed, its sleek design complements any décor with a touch of elegance. The smallest within this range.

LIT-1710 | Magnetic Track Projectors



H(m)	Diameter(m)	(lx)
1.0	0.90	1177
2.0	1.80	294
3.0	2.71	131
4.0	3.61	74
5.0	4.51	47

■ Co-C180



Lumen, maintenance & failure rate	L80/F50 >60,000 hrs
Body material	Die-cast aluminium body
Dimension	H 75mm D 35mm
Colors	Check colors index
Power supply	Electronic Driver
Reflector	Optical lens
Swivel angles	350° horizontal, 90° vertical

Customizable on request



*Longer lead time

Code	LED Lumen	Luminaire Lumen	Efficiency	LED Wattage	Color Temperature	Beam Angle
610302X	410 lm	325 lm	103.2lm/w	3.2W	3000k	24°
610302Y	440 lm	349 lm	110.8lm/w	3.2W	4000k	24°

Code	White	Black
X	1	7
Y	2	8