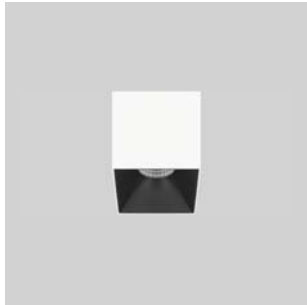


LIT-4200

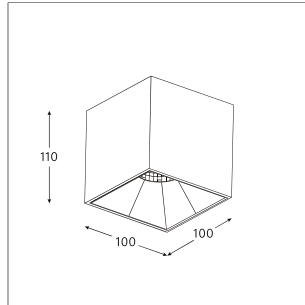
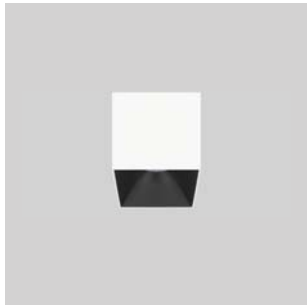
Surface-mounted single square downlight featuring a minimal design. The low lumen range provides the perfect solution for a more subtle illumination. Ideal for projects with challenging ceiling applications (e.g. concrete, no void).

LIT-4200 | Surface Luminaires | Surface



H(m)	Diameter(m)	(lx)
1.0	0.60	4678
2.0	1.20	1169
3.0	1.80	520
4.0	2.40	292
5.0	3.00	187

■ Co-C180



Lumen, maintenance & failure rate	L90/B10 >80,000 hrs at 25°C
Body material	Aluminium body powder coating
Dimensions & Weight	100 x 100 x 110mm 0.76 kg
Colors	White
Diffuser	Clear PC
Power supply	Electronic driver
Reflector	High purity aluminium

Customizable on request

>90
CRI

Color
Temperature

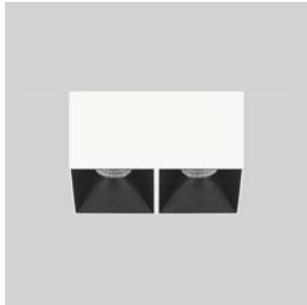
*Longer lead time

Code	LED Lumen	Luminaire Lumen	Efficiency	LED Wattage	Color Temperature	Beam Angle
5500231	1316 lm	993 lm	110.4lm/w	9.0W	3000k	34°
5500232	1388 lm	1047 lm	116.3lm/w	9.0W	4000k	34°

LIT-4200

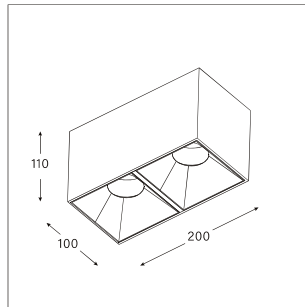
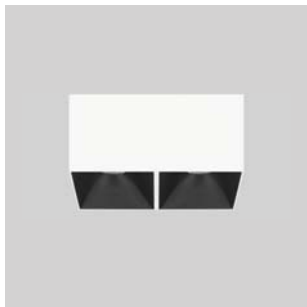
Surface-mounted double square downlight featuring a minimal design. The low lumen range provides the perfect solution for a more subtle illumination. Ideal for projects with challenging ceiling applications (e.g. concrete, no void).

LIT-4200 | Surface Luminaires | Surface



H(m)	Diameter(m)	(lx)
1.0	0.60	4678
2.0	1.20	1169
3.0	1.80	520
4.0	2.40	292
5.0	3.00	187

■ Co-C180



Lumen, maintenance & failure rate	L90/B10 >80,000 hrs at 25°C
Body material	Aluminium body powder coating
Dimensions & Weight	200 x 100 x 110mm 1.16 kg
Colors	White
Diffuser	Clear PC
Power supply	Electronic driver
Reflector	High purity aluminium

Customizable on request

>90
CRI

Color
Temperature

*Longer lead time

Code	LED Lumen	Luminaire Lumen	Efficiency	LED Wattage	Color Temperature	Beam Angle
5564221	2x1316 lm	2x993 lm	110.4lm/w	2x9.0W	3000k	34°
5564222	2x1388 lm	2x1047 lm	116.3lm/w	2x9.0W	4000k	34°

LIT-4200

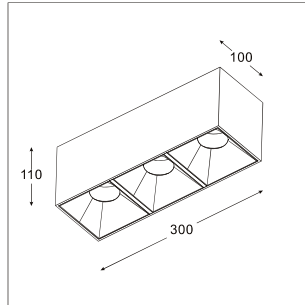
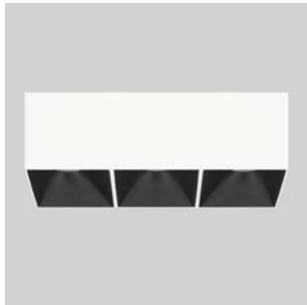
Surface-mounted triple square downlight featuring a minimal design. The low lumen range provides the perfect solution for a more subtle illumination. Ideal for projects with challenging ceiling applications (e.g. concrete, no void).

LIT-4200 | Surface Luminaires | Surface



H(m)	Diameter(m)	(lx)
1.0	0.60	4678
2.0	1.20	1169
3.0	1.80	520
4.0	2.40	292
5.0	3.00	187

■ Co-C180



Lumen, maintenance & failure rate	L90/B10 >80,000 hrs at 25°C
Body material	Aluminium body powder coating
Dimensions & Weight	300 x 100 x 110mm 1.42 kg
Colors	White
Diffuser	Clear PC
Power supply	Electronic driver
Reflector	High purity aluminium

Customizable on request

>90
CRI

Color
Temperature

*Longer lead time

Code	LED Lumen	Luminaire Lumen	Efficiency	LED Wattage	Color Temperature	Beam Angle
6341221	3x1316 lm	3x993 lm	110.4lm/w	3x9.0W	3000k	34°
6341222	3x1388 lm	3x1047 lm	116.3lm/w	3x9.0W	4000k	34°

