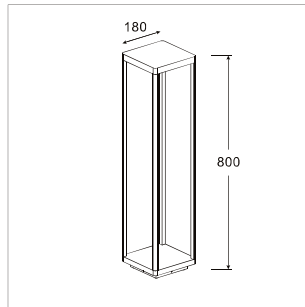
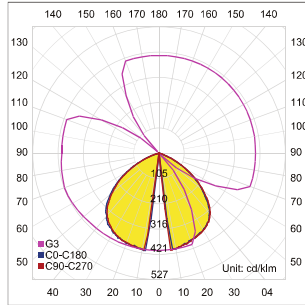
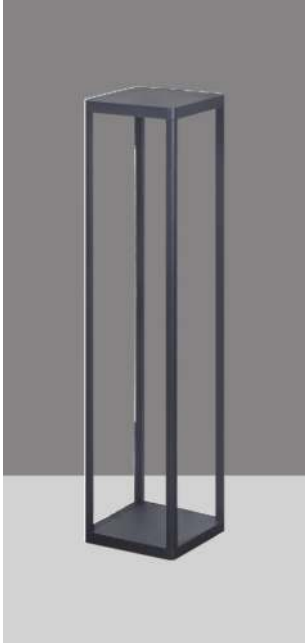


LIT-10100

Shielded bollard with a square cross-section, symmetric light distribution. Characterized by a minimal design, it perfectly adapts to contemporary landscapes. Ideal for illuminating entrances, pathways and gardens.

LIT-10100 | Bollards



Lumen, maintenance & failure rate	L90/B10 >80,000 hrs
Body material	Aluminium body powder coating
Dimension	180 x 180 x 800mm
Colors	Dark Grey
Diffuser	Clear Glass
Power supply	Electronic Driver

Code	LED lumen	Luminaire lumen	Efficiency	LED wattage	Color temperature	Beam angle
4805304	1316 lm	952 lm	105.8lm/w	9.0W	3000k	Diffuse
4815305	1388 lm	1004 lm	111.6lm/w	9.0W	4000k	Diffuse