

LIT-1200

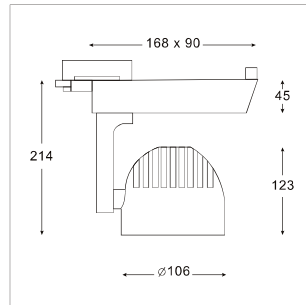
Cylindrical projector with round back for three-circuit track installation. Rotatable, tiltable body for directional lighting. The higher lumen range and functional design provide a practical solution for illuminating large spaces.

LIT-1200 | Projectors | 3-Circuit Track



H(m)	Diameter(m)	(lx)
1.0	0.49	23911
2.0	0.98	5978
3.0	1.47	2657
4.0	1.95	1494
5.0	2.44	956

■ C0-C180



Lumen, maintenance & failure rate	L90/F10 >70,000 hrs
Body material	Aluminium body powder coating
Dimension	H 214mm D 106mm
Colors	Check colors index
Diffuser	Clear glass
Power supply	Electronic Driver
Reflector	High purity aluminium
Swivel angles	350° horizontal, 90° vertical

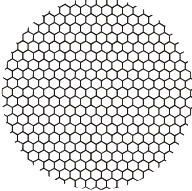
Customizable on request



*Longer lead time



Code	LED Lumen	Luminaire Lumen	Efficiency	LED Wattage	Color Temperature	Beam Angle
561441X	2700 lm	2006 lm	114.7lm/w	17.5W	3000k	15°
561443X	2700 lm	2006 lm	114.7lm/w	17.5W	3000k	45°
561741X	3143 lm	2330 lm	109.4lm/w	21.3W	3000k	15°
561743X	3143 lm	2330 lm	109.4lm/w	21.3W	3000k	45°
561541X	3588 lm	2662 lm	105.3lm/w	25.3W	3000k	15°
561543X	3588 lm	2662 lm	105.3lm/w	25.3W	3000k	45°
561641X	4617 lm	3430 lm	107.8lm/w	31.8W	3000k	15°
561643X	4617 lm	3430 lm	107.8lm/w	31.8W	3000k	45°
561441Y	2851 lm	2116 lm	120.9lm/w	17.5W	4000k	15°
561443Y	2851 lm	2116 lm	120.9lm/w	17.5W	4000k	45°
561741Y	3318 lm	2460 lm	115.5lm/w	21.3W	4000k	15°
561743Y	3318 lm	2460 lm	115.5lm/w	21.3W	4000k	45°
561541Y	3788 lm	2813 lm	111.2lm/w	25.3W	4000k	15°
561543Y	3788 lm	2813 lm	111.2lm/w	25.3W	4000k	45°
561641Y	4848 lm	3600 lm	113.2lm/w	31.8W	4000k	15°
561643Y	4848 lm	3600 lm	113.2lm/w	31.8W	4000k	45°

Accessories	Honeycomb	
Code	HC1	
Technical Data	Modifies the lighting distribution to achieve higher visual comfort.	
Body material	Aluminium	
Color	Black	

Code	White	Black
X	1	7
Y	2	8

