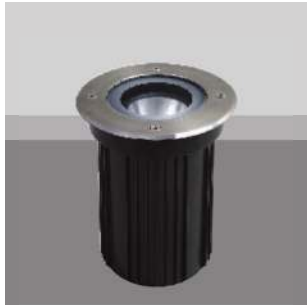


# LIT-13300

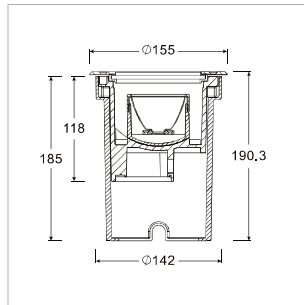
Durable outdoor uplight for in-ground installation with a long-lasting performance. Featuring a stainless steel incline edge frame and aluminum reflector for adjustability. The mid-large solution within this range.

## LIT-13300 | Outdoor Uplights | Recessed



H(m)	Diameter(m)	(lx)
1.0	0.23	6436
2.0	0.46	1602
3.0	0.70	715
4.0	0.93	402
5.0	1.16	257

■ C0-C180



Lumen, maintenance & failure rate	L90/B10 >80,000 hrs
Body material	Aluminium body powder coating
Dimension	H 185mm D 155mm
Colors	Black Body with Stainless Steel Ring
Diffuser	Clear glass
Power supply	Included electronic driver
Reflector	High purity aluminium, Adjustable $\pm 15^\circ$

Code	LED lumen	Luminaire lumen	Efficiency	LED wattage	Color temperature	Beam angle
4122317	1316 lm	892 lm	99.2lm/w	9.0W	3000k	11°
4123317	1724 lm	1165 lm	89.6lm/w	13.0W	3000k	11°
4122318	1388 lm	937 lm	104.2lm/w	9.0W	4000k	11°
4123318	1819 lm	1230 lm	94.6lm/w	13.0W	4000k	11°

