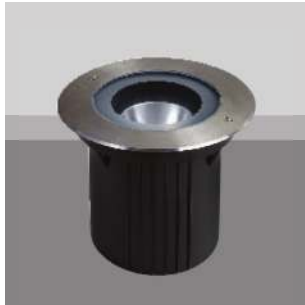


# LIT-13400

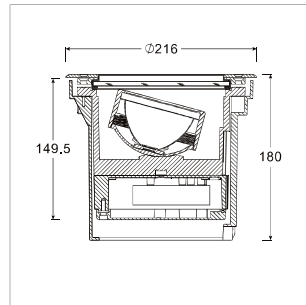
Durable outdoor uplight for in-ground installation with a long-lasting performance. Featuring a stainless steel incline edge frame and aluminum reflector for adjustability. The largest solution within this range.

## LIT-13400 | Outdoor Uplights | Recessed



H(m)	Diameter(m)	(lx)
1.0	0.26	12800
2.0	0.51	3200
3.0	0.77	1422
4.0	1.02	800
5.0	1.28	512

■ C0-C180



Lumen, maintenance & failure rate	L90/F10 >70,000 hrs
Body material	Aluminium body, stainless steel frame
Dimension	H 180mm D 216mm
Colors	Black Body with Stainless Steel Ring
Diffuser	Clear glass
Power supply	Electronic driver
Reflector	High purity aluminium, Adjustable $\pm 15^\circ$

Customizable on request



\*Longer lead time

Code	LED lumen	Luminaire lumen	Efficiency	LED wattage	Color temperature	Beam angle
4154417	2700 lm	2030 lm	116.0lm/w	17.5W	3000k	14°
4155417	3143 lm	2362 lm	110.9lm/w	21.3W	3000k	14°
4154418	2851 lm	2143 lm	122.5lm/w	17.5W	4000k	14°
4155418	3318 lm	2494 lm	117.1lm/w	21.3W	4000k	14°

