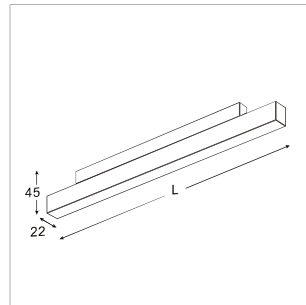
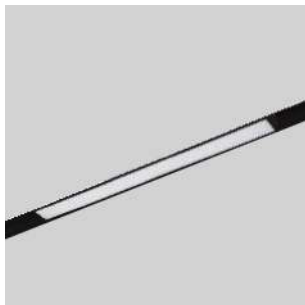
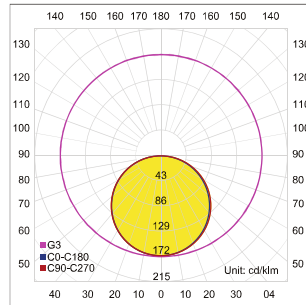


LIT-1610

Linear LED profile with opal diffuser designed for easy and quick installation on magnetic tracks. A versatile and simple solution that provides an even light distribution. Perfect for architectural spaces with a modern aesthetic.

LIT-1610 | Magnetic Linear LED Profiles | Opal



Lumen, maintenance & failure rate	L70/B50 >60,000 hrs
Body material	Aluminium body
Dimension	L X 22mm x 45mm
Colors	Check colors index
Diffuser	Opal
Power supply	Electronic Driver

Customizable on request

Dimmable

>90
CRI

Color
Temperature

*Longer lead time

Code	LED Lumen	Luminaire Lumen	Efficiency	LED Wattage	Color Temperature	Length
610709X	1518 lm	480 lm	42.8lm/w	11.2W	3000k	300mm
610819X	3036 lm	960 lm	42.8lm/w	22.4W	3000k	600mm
610709Y	1518 lm	480 lm	42.8lm/w	11.2W	4000k	300mm
610819Y	3036 lm	960 lm	42.8lm/w	22.4W	4000k	600mm

Code	White	Black
X	1	7
Y	2	8