

# LIT-1630

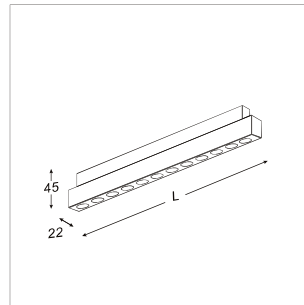
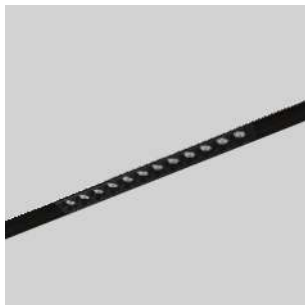
Linear dot LED profile designed for easy and quick installation on magnetic tracks. A versatile and simple solution that combines technical and decorative lighting. Perfect for architectural spaces with a modern aesthetic.

## LIT-1630 | Magnetic Linear LED Profiles | Lens



H(m)	Diameter(m)	(lx)
1.0	1.13	1892
2.0	2.27	473
3.0	3.40	210
4.0	4.54	118
5.0	5.67	76

■ C0-C180



Lumen, maintenance & failure rate	L70/B50 >60,000 hrs
Body material	Aluminium body
Dimension	L X 22mm x 45mm
Colors	Check colors index
Beam angle	24°
Power supply	Electronic Driver
Reflector	Optical lens

### Customizable on request



\*Longer lead time

Code	LED Lumen	Luminaire Lumen	Efficiency	LED Wattage	Color Temperature	Length
610002X	858 lm	634 lm	100.6lm/w	6.3W	3000k	240mm
610112X	1716 lm	1268 lm	100.6lm/w	12.6W	3000k	480mm
610222X	2574 lm	1902 lm	100.6lm/w	18.9W	3000k	720mm
610002Y	858 lm	634 lm	100.6lm/w	6.3W	4000k	240mm
610112Y	1716 lm	1268 lm	100.6lm/w	12.6W	4000k	480mm
610222Y	2574 lm	1902 lm	100.6lm/w	18.9W	4000k	720mm

Code	White	Black
X	1	7
Y	2	8