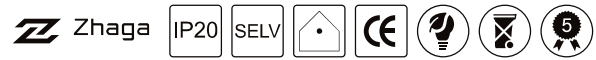


# LIT-1770

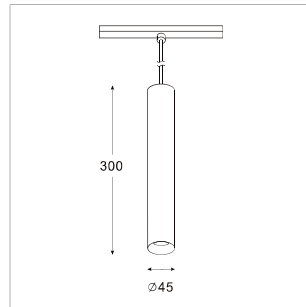
Cylindrical pendant designed for easy and quick installation on magnetic tracks. Slim with a clean aesthetic, it can be suspended at different lengths from the ceiling. An excellent way to add style to modern spaces.

## LIT-1770 | Magnetic Pendant Track Light



H(m)	Diameter(m)	(lx)
1.0	1.46	2345
2.0	2.92	586
3.0	4.38	261
4.0	5.84	147
5.0	7.30	94

■ C0-C180



Lumen, maintenance & failure rate	L80/F10 >55,000 hrs
Body material	Aluminium body
Dimension	H 300mm D 45mm
Colors	Check colors index
Power supply	Electronic Driver
Reflector	Optical lens

Customizable on request

Dimmable

>90  
CRI

Color  
Temperature

\*Longer lead time

Code	LED Lumen	Luminaire Lumen	Efficiency	LED Wattage	Color Temperature	Length
610503X	683 lm	550 lm	87.3lm/w	6.3W	3000k	36°
610553X	975 lm	784 lm	87.1lm/w	9.0W	3000k	36°
610513X	1365 lm	1097 lm	87.0lm/w	12.6W	3000k	36°
610503Y	736 lm	593 lm	94.1lm/w	6.3W	4000k	36°
610553Y	1050 lm	844 lm	93.7lm/w	9.0W	4000k	36°
610513Y	1470 lm	1182 lm	93.8lm/w	12.6W	4000k	36°

Code	White	Black
X	1	7
Y	2	8