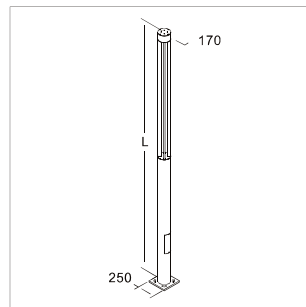
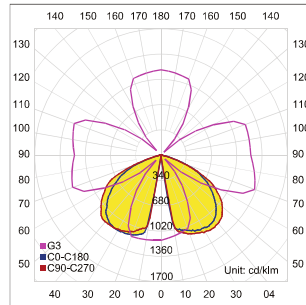
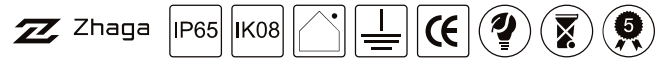


Light column with a round symmetrical design, robust and durable, it is built to withstand harsh exterior conditions. Used for general outdoor lighting applications.

LIT-22200 | Light Columns



Lumen, maintenance & failure rate	L70/B50 >64,000 hrs
Body material	Aluminium body
Dimension	Length x D 170mm
Colors	Dark Grey
Diffuser	Clear glass
Power supply	Electronic Driver
Reflector	Optical lens

Code	LED lumen	Luminaire lumen	Efficiency	LED wattage	Color temperature	Length
4604107	6484 lm	2819 lm	67.1lm/w	42W	3000k	3000mm
4604108	6828 lm	2968 lm	70.6lm/w	42W	4000k	3000mm
4604117	6484 lm	2819 lm	67.1lm/w	42W	3000k	4000mm
4604118	6828 lm	2968 lm	70.6lm/w	42W	4000k	4000mm

H	I	W	EAV	EMIN	Glare index	Classe
4 m	18 m	4 m	12.52 lx	2.46 lx	D3	P2

W	Pathway wideness (m)
I	Poles interdistance (m)
H	Pole height (m)
EAV	Average illuminance
EMIN	Minimum illuminance

