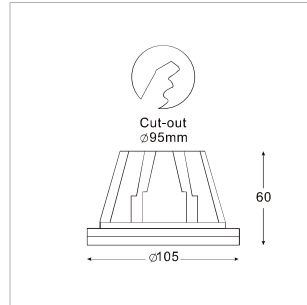
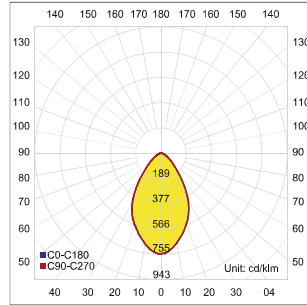


LIT-2810

Fixed recessed downlight with a functional design. Overall diameter of 105mm – the smallest solution within this range. Uniform lighting distribution ideal for general applications.

LIT-2810 | Downlights | Recessed



Lumen, maintenance & failure rate	L80/B10 >80,000 hrs
Body material	Aluminium body powder coating
Dimension	H 60mm D 105mm
Colors	White
Diffuser	Opal
Power supply	Electronic Driver
Reflector	White Polycarbonate

Customizable on request

Dimmable

>90
CRI

Color
Temperature

*Longer lead time

Code	LED Lumen	Luminaire Lumen	Efficiency	LED Wattage	Color Temperature	Beam Angle
5640441	1316 lm	775 lm	86.2lm/w	9.0W	3000k	60°
5640442	1388 lm	816 lm	90.7lm/w	9.0W	4000k	60°
5643441	1724 lm	1015 lm	78.0lm/w	13.0W	3000k	60°
5643442	1819 lm	1070 lm	82.3lm/w	13.0W	4000k	60°

