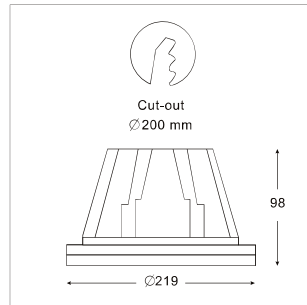
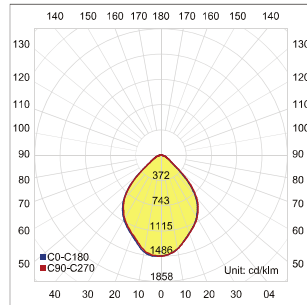
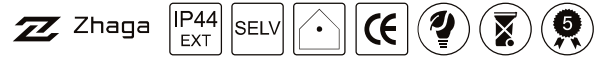


LIT-2840

Fixed recessed downlight with a functional design. Overall diameter of 219mm – the largest solution within this range. Uniform lighting distribution ideal for general applications.

LIT-2840 | Downlights | Recessed



Lumen, maintenance & failure rate	L90/B10 >80,000 hrs
Body material	Aluminium body powder coating
Dimension	H 98mm D 219mm
Colors	White
Diffuser	Opal
Power supply	Electronic Driver
Reflector	White Polycarbonate

Customizable on request

Dimmable

>90
CRI

Color
Temperature

*Longer lead time

Code	LED Lumen	Luminaire Lumen	Efficiency	LED Wattage	Color Temperature	Beam Angle
5644741	2818 lm	2156 lm	136.5lm/w	16.5W	3000k	80°
5644742	2967 lm	2270 lm	137.5lm/w	16.5W	4000k	80°
5647741	3359 lm	2570 lm	128.5lm/w	20W	3000k	80°
5647742	3537 lm	2706 lm	135.3lm/w	20W	4000k	80°
5645741	3891 lm	2977 lm	126.7lm/w	23.5W	3000k	80°
5645742	4097 lm	3135 lm	134.4lm/w	23.5W	4000k	80°

