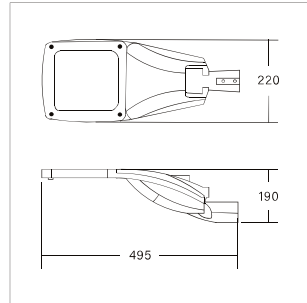
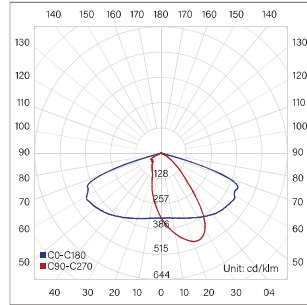


LIT-34500

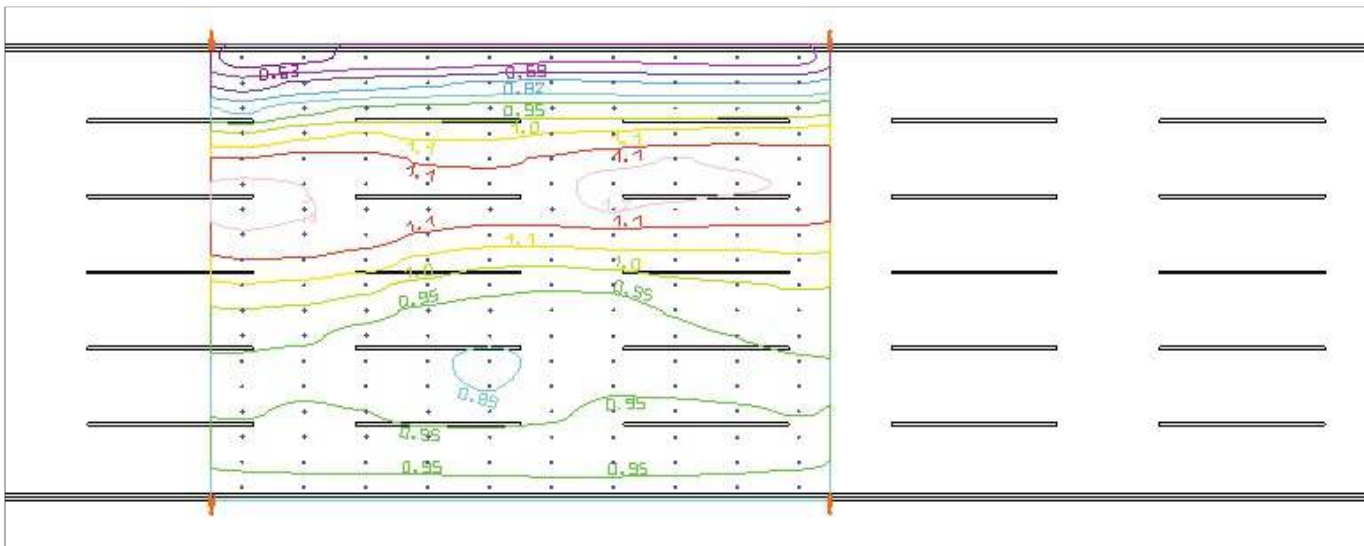
High-performance LED luminaire designed for use in areas like streets and parking lots. It offers excellent light distribution and a long lifespan. Available in different power levels and color temperatures.

LIT-34500 | Street Lighting



Beam angle	Batwing
Dimension	495 x 220 x 190mm
Colors	Dark grey
Diffuser	Tempered glass
Power supply	Electronic driver
Reflector	Optical lens

Code	LED lumen	Luminaire lumen	Efficiency	LED wattage	Color temperature	Beam angle
3900197	15808 lm	13646 lm	146.7lm/w	93.0W	3000k	Batwing
3900198	16424 lm	14178 lm	152.4lm/w	93.0W	4000k	Batwing



W	Street wideness (m)
I	Poles interdistance (m)
H	Pole height (m)
LM	Average illuminance (CD/M2)
UO	General uniformity
UI	Longitudinal uniformity
TTI	Glare factor (%)
TIL	Inclination angle (x°)

Street - M4 standard

W	I	H	LM	U0	UI	TTI	TIL	Classe
7m	33m	8m	1.45	0.45	0.61	11	5°	M4
7m	33m	8m	1.45	0.45	0.61	11	5°	M3
7m	28m	7m	1.84	0.40	0.67	12	5°	M4
7m	28m	7m	1.84	0.40	0.67	12	5°	M3
15m	33m	8m	1.75	0.54	0.64	10	5°	M5
15m	33m	8m	1.75	0.54	0.64	10	5°	M4
15m	33m	8m	1.94	0.61	0.71	9	5°	M2
22m	40m	10m	1.00	0.47	0.63	9	5°	M3

