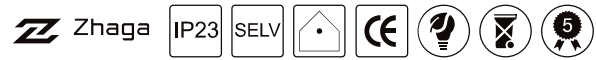


# LIT-5110

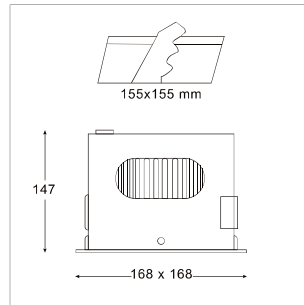
Single module adjustable recessed spotlight. Pivot angle of up to 15° allowing light to be emitted precisely where it is required. The higher lumen range provides the perfect solution for higher ceiling applications.

## LIT-5110 | Rectangular spotlight | Recessed



H(m)	Diameter(m)	(lx)
1.0	0.25	19630
2.0	0.50	4908
3.0	0.75	2181
4.0	1.00	1227
5.0	1.25	785

■ C0-C180



Lumen, maintenance & failure rate	L90/B10 >70,000 hrs
Body material	Aluminum body powder coating
Dimension	168 x 168 x 147mm
Colors	White
Diffuser	Clear Glass
Power supply	Electronic Driver
Reflector	High purity aluminum

### Customizable on request



\*Longer lead time

Code	LED Lumen	Luminaire Lumen	Efficiency	LED Wattage	Color Temperature	Beam Angle
5684111	2700 lm	2025 lm	115.7lm/w	17.5W	3000k	15°
5684121	2700 lm	2025 lm	115.7lm/w	17.5W	3000k	45°
5687111	3143 lm	2355 lm	110.5lm/w	21.3W	3000k	15°
5687121	3143 lm	2355 lm	110.5lm/w	21.3W	3000k	45°
5685111	3588 lm	2691 lm	106.4lm/w	25.3W	3000k	15°
5685121	3588 lm	2691 lm	106.4lm/w	25.3W	3000k	45°
5686111	4617 lm	3463 lm	108.8lm/w	31.8W	3000k	15°
5686121	4617 lm	3463 lm	108.8lm/w	31.8W	3000k	45°
5684112	2851 lm	2141 lm	122.4lm/w	17.5W	4000k	15°
5684122	2851 lm	2141 lm	122.4lm/w	17.5W	4000k	45°
5687112	3318 lm	2490 lm	116.9lm/w	21.3W	4000k	15°
5687122	3318 lm	2490 lm	116.9lm/w	21.3W	4000k	45°
5685112	3788 lm	2843 lm	112.4lm/w	25.3W	4000k	15°
5685122	3788 lm	2843 lm	112.4lm/w	25.3W	4000k	45°
5686112	4848 lm	3640 lm	114.4lm/w	31.8W	4000k	15°
5686122	4848 lm	3640 lm	114.4lm/w	31.8W	4000k	45°

