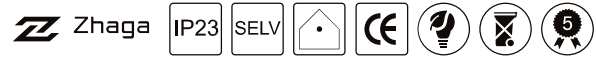


LIT-5120

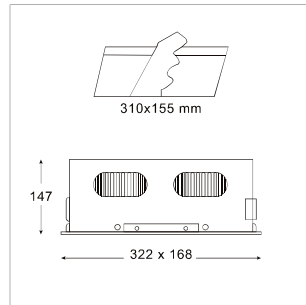
Double module adjustable recessed spotlight. Pivot angle of up to 15° allowing light to be emitted precisely where it is required. The higher lumen range provides the perfect solution for higher ceiling applications.

LIT-5120 | Rectangular spotlight | Recessed



H(m)	Diameter(m)	(lx)
1.0	0.76	7238
2.0	1.51	1810
3.0	2.27	804
4.0	3.02	452
5.0	3.78	290

■ Co-C180



Lumen, maintenance & failure rate	L90/B10 >70,000 hrs
Body material	Aluminum body powder coating
Dimension	322 x 168 x 147mm
Colors	White
Diffuser	Clear Glass
Power supply	Electronic Driver
Reflector	High purity aluminum

Customizable on request



*Longer lead time



Code	LED Lumen	Luminaire Lumen	Efficiency	LED Wattage	Color Temperature	Beam Angle
5684211	2X 2700 lm	2X 2025 lm	115.7lm/w	2X 17.5W	3000k	15°
5684221	2X 2700 lm	2X 2025 lm	115.7lm/w	2X 17.5W	3000k	45°
5687211	2X 3143 lm	2X 2355 lm	110.5lm/w	2X 21.3W	3000k	15°
5687221	2X 3143 lm	2X 2355 lm	110.5lm/w	2X 21.3W	3000k	45°
5685211	2X 3588 lm	2X 2691 lm	106.4lm/w	2X 25.3W	3000k	15°
5685221	2X 3588 lm	2X 2691 lm	106.4lm/w	2X 25.3W	3000k	45°
5686211	2X 4617 lm	2X 3625 lm	98.2lm/w	2X 31.8W	3000k	15°
5686221	2X 4617 lm	2X 3625 lm	98.2lm/w	2X 31.8W	3000k	45°
5684212	2X 2851 lm	2X 2141 lm	122.4lm/w	2X 17.5W	4000k	15°
5684222	2X 2851 lm	2X 2141 lm	122.4lm/w	2X 17.5W	4000k	45°
5687212	2X 3318 lm	2X 2490 lm	116.9lm/w	2X 21.3W	4000k	15°
5687222	2X 3318 lm	2X 2490 lm	116.9lm/w	2X 21.3W	4000k	45°
5685212	2X 3788 lm	2X 2843 lm	112.4lm/w	2X 25.3W	4000k	15°
5685222	2X 3788 lm	2X 2843 lm	112.4lm/w	2X 25.3W	4000k	45°
5686212	2X 4848 lm	2X 3640 lm	114.4lm/w	2X 31.8W	4000k	15°
5686222	2X 4848 lm	2X 3640 lm	114.4lm/w	2X 31.8W	4000k	45°

