

LIT-5130

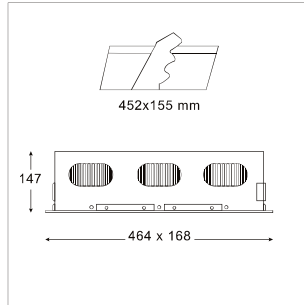
Triple module adjustable recessed spotlight. Pivot angle of up to 15° allowing light to be emitted precisely where it is required. The higher lumen range provides the perfect solution for higher ceiling applications.

LIT-5130 | Rectangular spotlight | Recessed



H(m)	Diameter(m)	(lx)
1.0	0.65	12999
2.0	1.30	3250
3.0	1.96	1444
4.0	2.61	812
5.0	3.26	520

■ C0-C180



Lumen, maintenance & failure rate	L90/B10 >70,000 hrs
Body material	Aluminum body powder coating
Dimension	468 x 168 x 147mm
Colors	White
Diffuser	Clear Glass
Power supply	Electronic Driver
Reflector	High purity aluminum

Customizable on request



*Longer lead time



Code	LED Lumen	Luminaire Lumen	Efficiency	LED Wattage	Color Temperature	Beam Angle
5684311	3X 2700 lm	3X 2025 lm	115.7lm/w	3X 17.5W	3000k	15°
5684321	3X 2700 lm	3X 2025 lm	115.7lm/w	3X 17.5W	3000k	45°
5687311	3X 3143 lm	3X 2355 lm	110.5lm/w	3X 21.3W	3000k	15°
5687321	3X 3143 lm	3X 2355 lm	110.5lm/w	3X 21.3W	3000k	45°
5685311	3X 3588 lm	3X 2691 lm	106.4lm/w	3X 25.3W	3000k	15°
5685321	3X 3588 lm	3X 2691 lm	106.4lm/w	3X 25.3W	3000k	45°
5686311	3X 4617 lm	3X 3463 lm	108.8lm/w	3 X 31.8W	3000k	15°
5686321	3X 4617 lm	3 X 3463 lm	108.8lm/w	3 X 31.8W	3000k	45°
5684312	3X 2851 lm	3X 2141 lm	122.4lm/w	3X 17.5W	4000k	15°
5684322	3X 2851 lm	3X 2141 lm	122.4lm/w	3X 17.5W	4000k	45°
5687312	3X 3318 lm	3X 2490 lm	116.9lm/w	3X 21.3W	4000k	15°
5687322	3X 3318 lm	3X 2490 lm	116.9lm/w	3X 21.3W	4000k	45°
5685312	3X 3788 lm	3X 2843 lm	112.4lm/w	3X 25.3W	4000k	15°
5685322	3X 3788 lm	3X 2843 lm	112.4lm/w	3X 25.3W	4000k	45°
5686312	3X 4848 lm	3X 3640 lm	114.4lm/w	3 X 31.8W	4000k	15°
5686322	3X 4848 lm	3X 3640 lm	114.4lm/w	3 X 31.8W	4000k	45°

