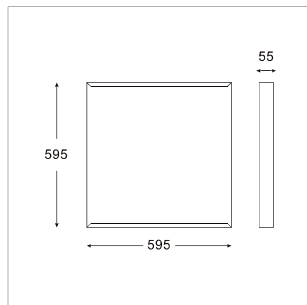
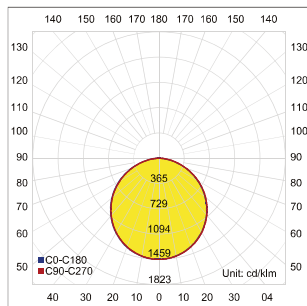


LIT-6130

Recessed back light panel with flat, trimless surface. Homogeneous illumination for high visual comfort. Ideal for general lighting application in workplaces, healthcare and educational facilities.

LIT-6130 | Lighting Panels | Surface



Lumen, maintenance & failure rate	L80/F50 >60,000 hrs
Body material	Steel Sheet, electrostatically painted
Dimension	595 x 595 x 55mm
Colors	White
Diffuser	Opal
Power supply	Electronic Driver
Reflector	White Steel Sheet

Customizable on request

*Longer lead time

Code	LED Lumen	Luminaire Lumen	Efficiency	LED Wattage	Color Temperature	Beam Angle
7336451	4400 lm	3185 lm	110.5lm/w	28.8W	3000k	Diffuse
733A551	6020 lm	4360 lm	102.5lm/w	42.5W	3000k	Diffuse
7336462	4740 lm	3435 lm	119.2lm/w	28.8W	4000k	Diffuse
733A562	6490 lm	4700 lm	110.5lm/w	42.5W	4000k	Diffuse

