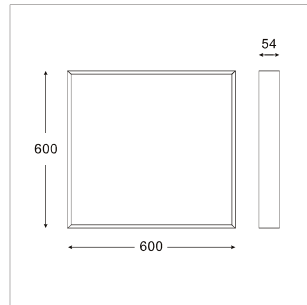
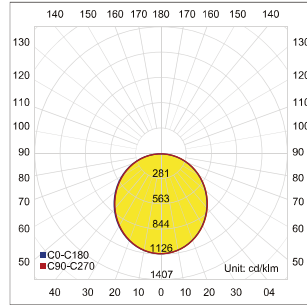


LIT-6150

Surface-mounted panel with flat surface. Homogeneous illumination for high visual comfort. Ideal for general lighting application in workplaces, healthcare and educational facilities.

LIT-6150 | Lighting Panels | Surface | 60x60



Lumen, maintenance & failure rate	L70/B50 >60,000 hrs
Body material	Extruded Aluminium
Dimension	600 x 600 x 54mm
Colors	White
Diffuser	Opal
Power supply	Electronic Driver

Customizable on request

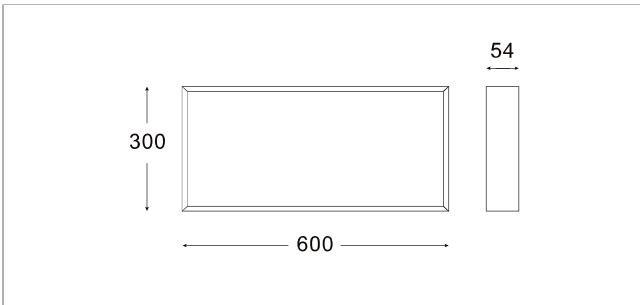
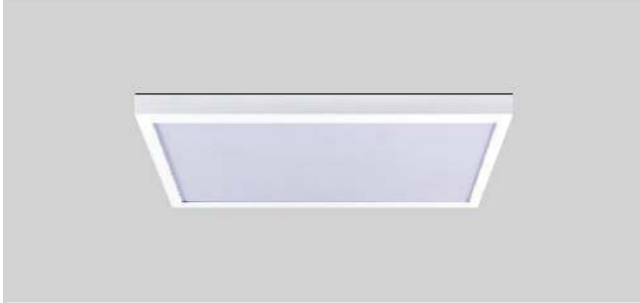
*Longer lead time

Code	LED Lumen	Luminaire Lumen	Efficiency	LED Wattage	Color Temperature	Beam Angle
5306314	4300 lm	3800 lm	105.5lm/w	36W	3000k	Diffuse
5306324	4300 lm	3800 lm	105.5lm/w	36W	4000k	Diffuse
5306334	4300 lm	3800 lm	105.5lm/w	36W	6500k	Diffuse

LIT-6150

Surface-mounted panel with flat surface. Homogeneous illumination for high visual comfort. Ideal for general lighting application in workplaces, healthcare and educational facilities.

LIT-6150 | Lighting Panels | Surface | 60x30



Lumen, maintenance & failure rate	L70/B50 >60,000 hrs
Body material	Extruded Aluminium
Dimension	300 x 600 x 54mm
Colors	White
Diffuser	Opal
Power supply	Electronic Driver

Customizable on request



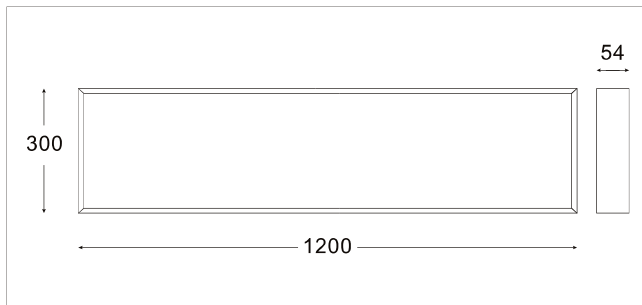
*Longer lead time

Code	LED Lumen	Luminaire Lumen	Efficiency	LED Wattage	Color Temperature	Beam Angle
5304314	2150 lm	1900 lm	105.5lm/w	18W	3000k	Diffuse
5304324	2150 lm	1900 lm	105.5lm/w	18W	4000k	Diffuse
5304334	2150 lm	1900 lm	105.5lm/w	18W	6500k	Diffuse

LIT-6150

Surface-mounted panel with flat surface. Homogeneous illumination for high visual comfort. Ideal for general lighting application in workplaces, healthcare and educational facilities.

LIT-6150 | Lighting Panels | Surface | 30x120



Lumen, maintenance & failure rate	L70/B50 >60,000 hrs
Body material	Steel Sheet, electrostatically painted
Dimension	300 x 1200 x 54mm
Colors	White (Other colors are available)
Diffuser	Opal
Power supply	Electronic Driver

Customizable on request

*Longer lead time

Code	LED Lumen	Luminaire Lumen	Efficiency	LED Wattage	Color Temperature	Beam Angle
5305314	4800 lm	4240 lm	106lm/w	40W	3000k	Diffuse
5305324	4800 lm	4240 lm	106lm/w	40W	4000k	Diffuse
5305334	4800 lm	4240 lm	106lm/w	40W	6500k	Diffuse