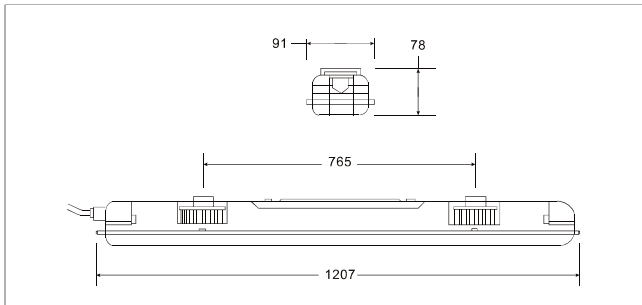
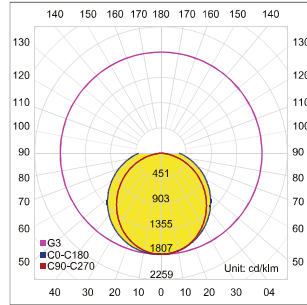
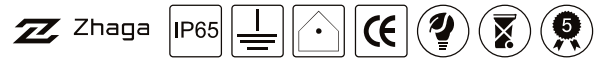


LIT-7210

IP65 waterproof batten luminaire that can be surface-mounted or suspended. Designed for intensive use in challenging conditions. Durable and highly efficient, perfect for commercial and industrial applications.

LIT-7210 | Industrial Luminaires | Mounted



Lumen, maintenance & failure rate	L80/F10 >72,000 hrs
Body material	Made of Polycarbonate
Dimension	1207 x 91 x 78mm
Colors	Light Grey
Diffuser	Polycarbonate white diffuser
Power supply	Electronic Driver
Replacing module	LIT-Pro 120

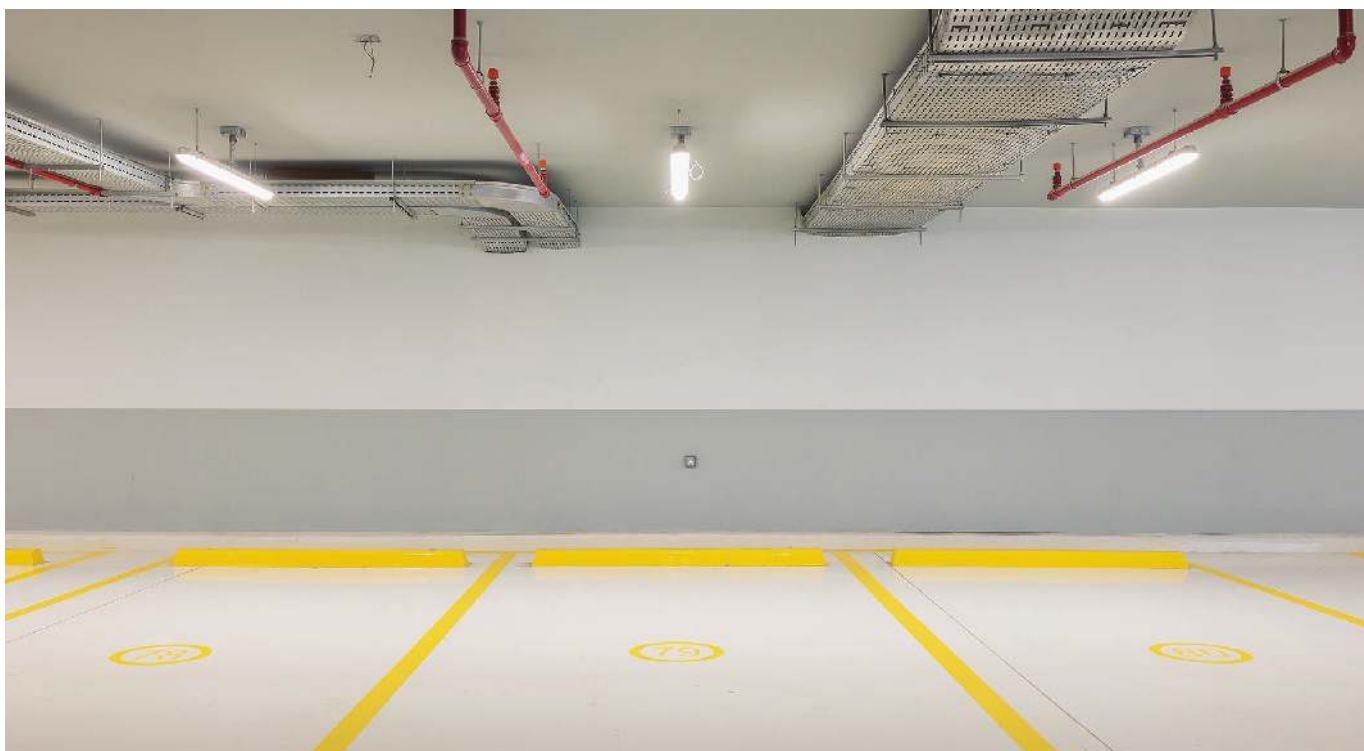
Customizable on request

Dimmable

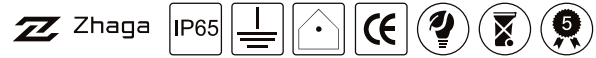
Color
Temperature

*Longer lead time

Code	LED Lumen	Luminaire Lumen	Efficiency	LED Wattage	Color Temperature	Beam Angle
7774442	5820 lm	4200 lm	134.6lm/w	31.2W	4000k	Diffuse
7774443	5820 lm	4200 lm	134.6lm/w	31.2W	6500k	Diffuse
7774742	8108 lm	6000 lm	131.8lm/w	45.5W	4000k	Diffuse
7774743	8108 lm	6000 lm	131.8lm/w	45.5W	6500k	Diffuse



LIT-7210 | Industrial Luminaires | Mounted



Lumen, maintenance & failure rate	L70/B50 >54,000 hrs
Body material	Made of Polycarbonate
Dimension	1207 x 91 x 78mm
Colors	Light Grey
Diffuser	Polycarbonate white diffuser
Power supply	Electronic Driver
Replacing module	LIT-Pro 120

Customizable on request



*Longer lead time

Code	LED Lumen	Luminaire Lumen	Efficiency	LED Wattage	Color Temperature	Beam Angle
7777432	4493 lm	3850 lm	118.1lm/w	32.6W	4000k	Diffuse
7777433	4493 lm	3850 lm	118.1lm/w	32.6W	6500k	Diffuse

