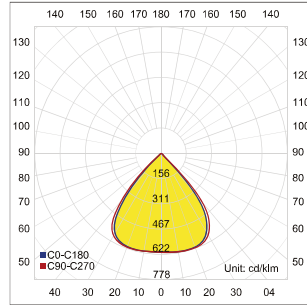
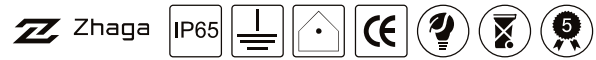


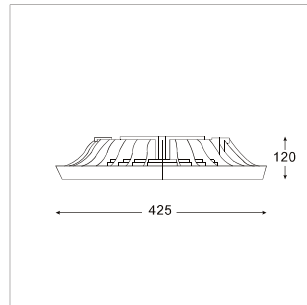
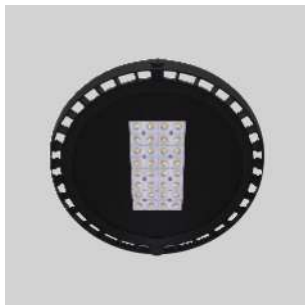
# LIT-7300

IP65 waterproof high bay luminaire featuring high performance and efficiency. Designed for intensive use in challenging conditions. Optimal solution to illuminate large spaces with high ceilings.

LIT-7300 | Industrial Luminaires | Suspended



Lumen, maintenance & failure rate	L80/B50 >70,000 hrs
Dimension	H 120mm D 425mm
Colors	Black
Diffuser	Tempered glass
Power supply	Electronic Driver



Customizable on request

\*Longer lead time

Code	LED Lumen	Luminaire Lumen	Efficiency	LED Wattage	Color Temperature	Beam Angle
3901147	23181 lm	17548 lm	131.9lm/w	133W	3000k	90°
3901148	24060 lm	18123 lm	136.9lm/w	133W	4000k	90°