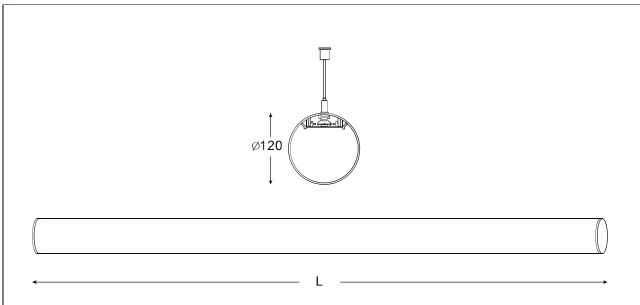
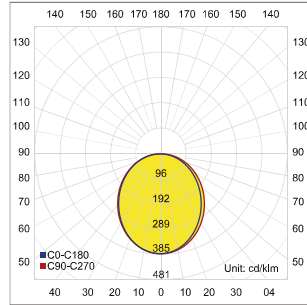


LIT-SYS R120

Cylindrical linear system with stainless steel suspension. Featuring a 340° light emission for homogeneous illumination. A versatile and simple lighting solution for architectural spaces with a modern aesthetic.

LIT-SYS R120 | Linear Systems | Suspended



Lumen, maintenance & failure rate	L80/F10 >72,000 hrs
Body material	Aluminum
Dimension	D 120mm
Colors	Aluminum
Diffuser	Opal
Power supply	Electronic Driver
Mounting	Suspended mounting

Customizable on request

Dimmable

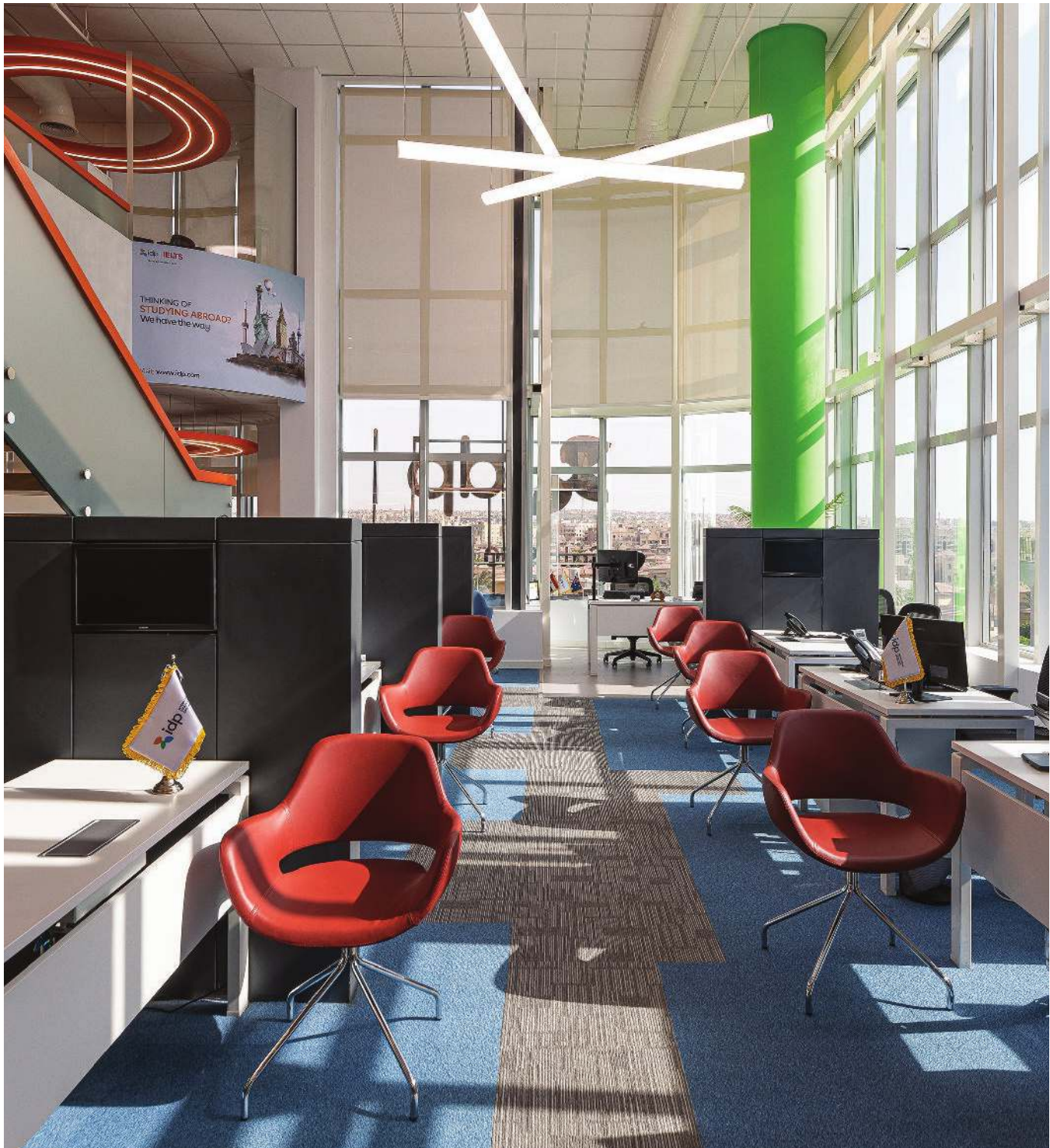
Custom length

Corner connection

*Longer lead time



Code	LED Lumen	Luminaire Lumen	Efficiency	LED Wattage	Color Temperature	Length
7351213	3760 lm	3120 lm	136.8lm/w	22.8W	3000k	570mm
7352213	5640 lm	4680 lm	136.8lm/w	34.2W	3000k	850mm
7353213	7520 lm	6240 lm	136.8lm/w	45.6W	3000k	1130mm
7354233	9400 lm	7800 lm	136.8lm/w	57.0W	3000k	1410mm
7351214	3940 lm	3270 lm	143.4lm/w	22.8W	4000k	570mm
7352214	5910 lm	4905 lm	143.4lm/w	34.2W	4000k	850mm
7353214	7880 lm	6540 lm	143.4lm/w	45.6W	4000k	1130mm
7354234	9850 lm	8175 lm	143.4lm/w	57.0W	4000k	1410mm

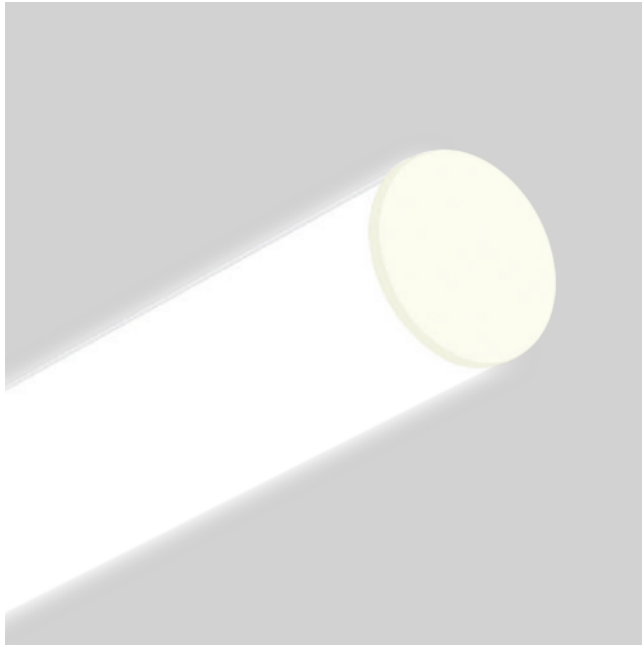




LIT-SYS R120

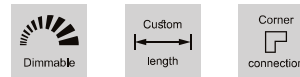
Ceiling-mounted cylindrical linear system. Featuring a 340° light emission for homogeneous illumination. A versatile and simple lighting solution for architectural spaces with a modern aesthetic.

LIT-SYS R120 | Linear Systems | Ceiling Mounted



Lumen, maintenance & failure rate	L80/F10 >72,000 hrs
Body material	Aluminum
Dimension	D 120mm
Colors	Aluminum
Diffuser	Opal
Power supply	Electronic Driver
Mounting	Ceiling mounted

Customizable on request



*Longer lead time

Code	LED Lumen	Luminaire Lumen	Efficiency	LED Wattage	Color Temperature	Length
7361213	3760 lm	3120 lm	136.8lm/w	22.8W	3000k	570mm
7362213	5640 lm	4680 lm	136.8lm/w	34.2W	3000k	850mm
7363213	7520 lm	6240 lm	136.8lm/w	45.6W	3000k	1130mm
7364233	9400 lm	7800 lm	136.8lm/w	57.0W	3000k	1410mm
7361214	3940 lm	3270 lm	143.4lm/w	22.8W	4000k	570mm
7362214	5910 lm	4905 lm	143.4lm/w	34.2W	4000k	850mm
7363214	7880 lm	6540 lm	143.4lm/w	45.6W	4000k	1130mm
7364234	9850 lm	8175 lm	143.4lm/w	57.0W	4000k	1410mm