

# LIT-4400

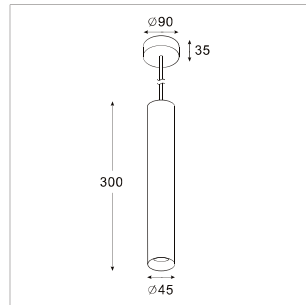
Cylindrical luminaire that can be suspended at different lengths from the ceiling. Slim and minimalistic with a clean aesthetic. An excellent way to add style to modern spaces.

## LIT-4400 | Pendant Luminaires | Mounted



H(m)	Diameter(m)	(lx)
1.0	0.62	1383
2.0	1.24	346
3.0	1.86	154
4.0	2.49	86
5.0	3.11	55

■ C0-C180



Lumen, maintenance & failure rate	L80/F10 >60,000 hrs
Body material	Aluminium body powder coating
Dimension	H 300mm D 45mm
Colors	White
Diffuser	N/A
Power supply	Electronic Driver
Reflector	Optical lens

### Customizable on request



\*Longer lead time

Code	LED Lumen	Luminaire Lumen	Efficiency	LED Wattage	Color Temperature	Beam Angle
5512231	975 lm	784 lm	87.1lm/w	9.0W	3000k	36°
5512331	1365 lm	1097 lm	87.0lm/w	12.6W	3000k	36°
5512232	1050 lm	844 lm	93.7lm/w	9.0W	4000k	36°
5512332	1470 lm	1182 lm	93.8lm/w	12.6W	4000k	36°