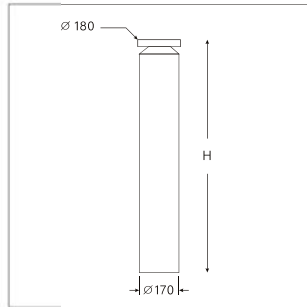
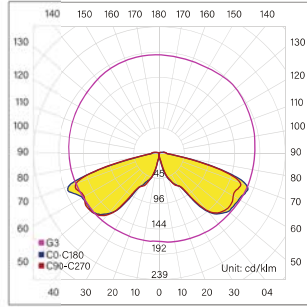
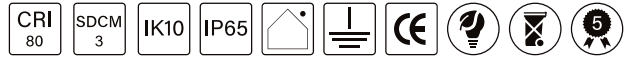


LIT-10400

Shielded glare free bollard with a 360° light distribution to illuminate ground surfaces all-round. Its cylindrical shape and solid design provide a contrast to linear landscape architectures in entrances, pathways, and gardens.



LIT-10400 | Bollards



Lumen, maintenance & failure rate	L70/B50 >60,000 hrs at 45°C
Body material	Aluminium body
Dimensions & Weight	H x 180mm 5.29 kg per 1m
Colors	Dark grey
Diffuser	N/A
Power supply	Electronic driver
Reflector	Optical lens

Length: 350mm

Code	LED lumen	Luminaire lumen	Efficiency	LED wattage	Color temperature	Beam angle
3605204	1364 lm	376 lm	47lm/w	8.0W	3000k	156°
3605205	1402 lm	386 lm	48.2lm/w	8.0W	4000k	156°

Length: 600mm

Code	LED lumen	Luminaire lumen	Efficiency	LED wattage	Color temperature	Beam angle
3606224	1910 lm	526 lm	47lm/w	11.2W	3000k	156°
3606225	1962 lm	540 lm	48.2lm/w	11.2W	4000k	156°

Length: 1000mm

Code	LED lumen	Luminaire lumen	Efficiency	LED wattage	Color temperature	Beam angle
3612244	3229 lm	888 lm	46lm/w	19.3W	3000k	156°
3612245	3424 lm	942 lm	48.8lm/w	19.3W	4000k	156°

