

# LIT-10900

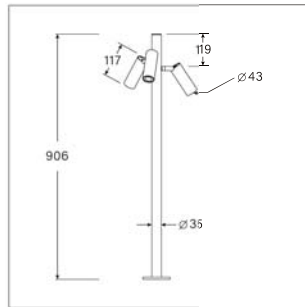
Robust and durable bollard, capable of supporting up to three 19400 projectors, built to withstand harsh outdoor conditions. Perfect for general outdoor lighting applications and ensures reliable illumination in any setting.

## LIT-10900 | Bollards



H(m)	Diameter(m)	(lx)
1.0	0.43	9187
2.0	0.86	2297
3.0	1.29	1021
4.0	1.71	574
5.0	2.14	367

■ C0-C180



Lumen, maintenance & failure rate	L80/F10 >55,000 hrs at 45°C
Body material	Aluminum body
Dimensions & Weight	H 906mm D 35mm 1.12 kg per 1m
Colors	Dark Grey
Diffuser	Clear glass
Power supply	Electronic Driver
Reflector	Optical lens

Code	LED lumen	Luminaire lumen	Efficiency	LED wattage	Color temperature	Beam angle
3616524	3x410 lm	3x319 lm	101.3lm/w	3x3.15W	3000k	20°
3616525	3x440 lm	3x342 lm	108.6lm/w	3x3.15W	4000k	20°
3617524	3x410 lm	3x319 lm	101.3lm/w	3x3.15W	3000k	34°
3617525	3x440 lm	3x342 lm	108.6lm/w	3x3.15W	4000k	34°
3618524	3x410 lm	3x319 lm	101.3lm/w	3x3.15W	3000k	50°
3618525	3x440 lm	3x342 lm	108.6lm/w	3x3.15W	4000k	50°

### Related Products:



301

323

