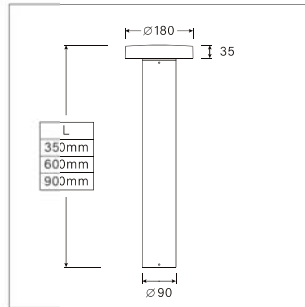
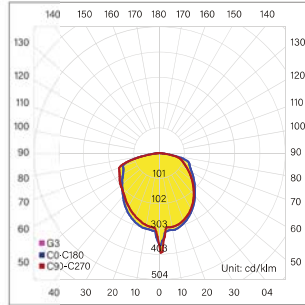


LIT-11200

Shielded bollard with optical lens emitting light in 360°. Characterized by a unique design aesthetic, it perfectly adapts to any landscape architecture. Ideal for illuminating entrances, pathways and gardens.

LIT-11200 | Bollards



Lumen, maintenance & failure rate	L80/F10 >55,000 hrs at 45°C
Body material	Aluminium
Dimensions & Weight	H x 180mm 2.68 kg per 90cm
Colors	Dark grey
Diffuser	Optical lens
Power supply	Electronic driver

Length: 350mm

Code	LED lumen	Luminaire lumen	Efficiency	LED wattage	Color temperature	Beam angle
3608204	1364 lm	647 lm	80.9lm/w	8.0W	3000k	95°
3608205	1446 lm	686 lm	85.8lm/w	8.0W	4000k	95°

Length: 600mm

Code	LED lumen	Luminaire lumen	Efficiency	LED wattage	Color temperature	Beam angle
3609224	1910 lm	894 lm	77.8lm/w	11.5W	3000k	95°
3609225	2025 lm	948 lm	82.4lm/w	11.5W	4000k	95°

Length: 900mm

Code	LED lumen	Luminaire lumen	Efficiency	LED wattage	Color temperature	Beam angle
3610234	2728 lm	1277 lm	79.8lm/w	16.0W	3000k	95°
3610235	2893 lm	1354 lm	84.6lm/w	16.0W	4000k	95°