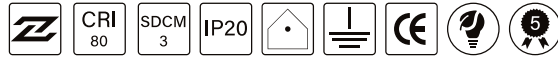


# LIT-1410

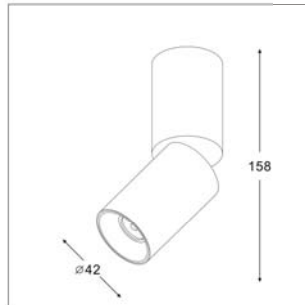
Adjustable cylinder-shaped surface-mounted projector with a rotatable and tiltable body. Architectural accent lighting that elegantly integrates into the design of the space.

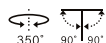
## LIT-1410 | Projectors | Ceiling




H(m)	Diameter(m)	(lx)
1.0	0.68	1430
2.0	1.37	357
3.0	2.05	159
4.0	2.74	89
5.0	3.42	57

■ C0-C180



Lumen, maintenance & failure rate	L70/B10 >60,000 hrs at 25°C
Body material	Aluminium body powder coating
Dimensions & Weight	H 158mm D 42mm 0.26 kg
Colors	Check colors index
Diffuser	Clear glass
Power supply	Electronic driver
Reflector	Optical lens
Swivel angles	350° horizontal, 90° vertical 

Customizable on request



\*Longer lead time

Code	LED Lumen	Luminaire Lumen	Efficiency	LED Wattage	Color Temperature	Beam Angle
559913X	914 lm	790 lm	102.9lm/w	5.8W	3000k	33°
559913X	965 lm	835 lm	93.7lm/w	5.8W	3000k	33°



Code	White	Black
X	1	7
Y	2	8