

LIT-1760

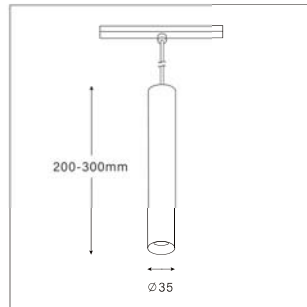
Cylindrical pendant designed for effortless installation on magnetic tracks. Slim with a clean aesthetic, its adjustable suspension length allows for versatile ceiling placement, making it a stylish addition to contemporary spaces.

LIT-1760 | Magnetic Pendant Track Light



H(m)	Diameter(m)	(lx)
1.0	0.77	3451
2.0	1.55	863
3.0	2.32	383
4.0	3.09	216
5.0	3.86	138

■ C0-C180



Lumen, maintenance & failure rate	L70/B10 >60,000 hrs at 25°C
Body material	Aluminium body powder coating
Dimensions & Weight	H 20-30cm D 35mm 0.45 kg per 30cm
Colors	Check colors index
Power supply	Electronic driver
Reflector	Optical lens

Customizable on request

>90
CRI

Color
Temperature

*Longer lead time

Length: 200mm

Code	LED Lumen	Luminaire Lumen	Efficiency	LED Wattage	Color Temperature	Beam Angle
637821X	1100 lm	855 lm	98.3lm/w	8.7W	3000k	20°
637821Y	1125 lm	875 lm	100.6lm/w	8.7W	4000k	20°
637823X	1100 lm	855 lm	98.3lm/w	8.7W	3000k	36°
637823Y	1125 lm	875 lm	100.6lm/w	8.7W	4000k	36°
637824X	1100 lm	855 lm	98.3lm/w	8.7W	3000k	50°
637824Y	1125 lm	875 lm	100.6lm/w	8.7W	4000k	50°

Length: 300mm

Code	LED Lumen	Luminaire Lumen	Efficiency	LED Wattage	Color Temperature	Length
637921X	1100 lm	855 lm	98.3lm/w	8.7W	3000k	20°
637921Y	1125 lm	875 lm	100.6lm/w	8.7W	4000k	20°
637923X	1100 lm	855 lm	98.3lm/w	8.7W	3000k	36°
637923Y	1125 lm	875 lm	100.6lm/w	8.7W	4000k	36°
637924X	1100 lm	855 lm	98.3lm/w	8.7W	3000k	50°
637924Y	1125 lm	875 lm	100.6lm/w	8.7W	4000k	50°

Related Products:

LIT-4410



200

Code	White	Black
X	1	7
Y	2	8