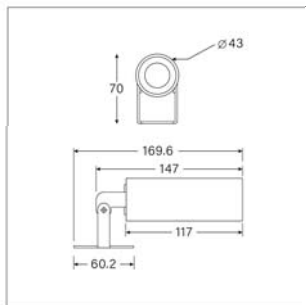
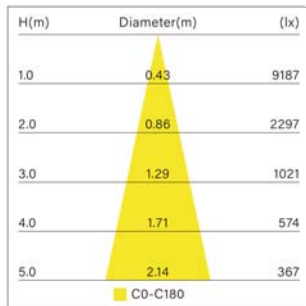


LIT-19400

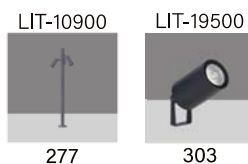
Adjustable projector that can be installed on surface or ceiling with internal electronic driver. Contemporary designed round body with 90° vertical rotation, this fixture is the perfect solution for outdoor accent lighting.

LIT-19400 | Outdoor Projectors



Lumen, maintenance & failure rate	L80/F10 >55,000 hrs at 45°C
Body material	Aluminium body
Dimensions & Weight	D 43mm H 117mm 0.36 kg
Colors	Dark grey
Diffuser	Tempered clear glass
Power supply	Internal electronic driver
Reflector	Optical lens

Related Products:



Code	LED lumen	Luminaire lumen	Efficiency	LED wattage	Color temperature	Beam angle
4408044	410 lm	319 lm	101.3lm/w	3.15W	3000k	20°
4408045	440 lm	342 lm	108.6lm/w	3.15W	4000k	20°
4408024	410 lm	319 lm	101.3lm/w	3.15W	3000k	34°
4408025	440 lm	342 lm	108.6lm/w	3.15W	4000k	34°
4408034	410 lm	319 lm	101.3lm/w	3.15W	3000k	50°
4408035	440 lm	342 lm	108.6lm/w	3.15W	4000k	50°



LIT-19400

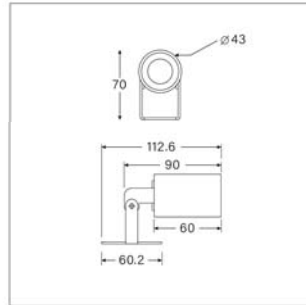
Adjustable projector that can be installed on surface or ceiling with external electronic driver. Contemporary designed round body with 90° vertical rotation, this fixture is the perfect solution for outdoor accent lighting.

LIT-19400 | Outdoor Projectors



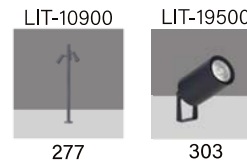
H(m)	Diameter(m)	(lx)
1.0	0.43	9187
2.0	0.86	2297
3.0	1.29	1021
4.0	1.71	574
5.0	2.14	367

■ C0-C180



Lumen, maintenance & failure rate	L80/F10 >55,000 hrs at 45°C
Body material	Aluminium body
Dimensions & Weight	D 43mm H 60mm 0.24 kg
Colors	Dark grey
Diffuser	Tempered clear glass
Power supply	External electronic driver
Reflector	Optical lens

Related Products:



Code	LED lumen	Luminaire lumen	Efficiency	LED wattage	Color temperature	Beam angle
4400044	410 lm	319 lm	101.3lm/w	3.15W	3000k	20°
4400045	440 lm	342 lm	108.6lm/w	3.15W	4000k	20°
4400024	410 lm	319 lm	101.3lm/w	3.15W	3000k	34°
4400025	440 lm	342 lm	108.6lm/w	3.15W	4000k	34°
4400034	410 lm	319 lm	101.3lm/w	3.15W	3000k	50°
4400035	440 lm	342 lm	108.6lm/w	3.15W	4000k	50°

