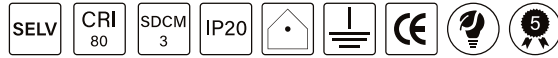


LIT-4600

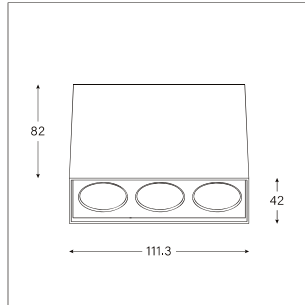
Surface-mounted rectangular downlight with three optical lenses featuring a minimal design. The perfect solution for a more subtle illumination. Ideal for projects with challenging ceiling applications (e.g. concrete, no void).

LIT-4600 | Surface Luminaires | Surface



H(m)	Diameter(m)	(lx)
1.0	0.86	2361
2.0	1.72	590
3.0	2.57	262
4.0	3.43	148
5.0	4.29	94

■ Co-C180



Lumen, maintenance & failure rate	L80/F10 >55,000 hrs at 25°C
Body material	Aluminium
Dimensions & Weight	110 x 42 x 82mm 0.28 kg
Colors	White (other colors available upon request)
Diffuser	N/A
Power supply	Electronic driver
Reflector	Optical lens with black reflector

Customizable on request

Dimmable

>90
CRI

+

Color
Temperature

*Longer lead time

Code	LED Lumen	Luminaire Lumen	Efficiency	LED Wattage	Color Temperature	Beam Angle
5596421	415 lm	286 lm	63.5lm/w	4.5W	3000k	24°
5596422	415 lm	286 lm	63.5lm/w	4.5W	4000k	24°
5596821	745 lm	515 lm	60.3lm/w	6.3W	3000k	24°
5596822	745 lm	515 lm	60.3lm/w	6.3W	4000k	24°



Related Products:

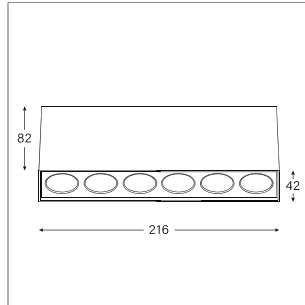
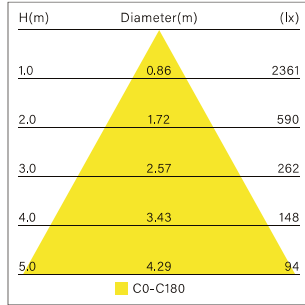
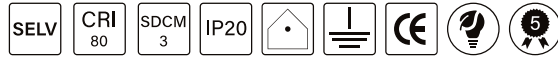
LIT-5310

175

LIT-4600

Surface-mounted rectangular downlight with six optical lenses featuring a minimal design. The perfect solution for a more subtle illumination. Ideal for projects with challenging ceiling applications (e.g. concrete, no void).

LIT-4600 | Surface Luminaires | Surface



Lumen, maintenance & failure rate	L80/F10 >55,000 hrs at 25°C
Body material	Aluminium
Dimensions & Weight	216 x 42 x 82mm 0.52 kg
Colors	White (other colors available upon request)
Diffuser	N/A
Power supply	Electronic driver
Reflector	Optical lens with black reflector

Customizable on request

Dimmable

>90
CRI

Color
Temperature

*Longer lead time

Code	LED Lumen	Luminaire Lumen	Efficiency	LED Wattage	Color Temperature	Beam Angle
5597421	830 lm	572 lm	63.5lm/w	9.0W	3000k	24°
5597422	830 lm	572 lm	63.5lm/w	9.0W	4000k	24°
5597821	1100 lm	760 lm	60.3lm/w	12.6W	3000k	24°
5597822	1100 lm	760 lm	60.3lm/w	12.6W	4000k	24°



Related Products:

LIT-5310

175