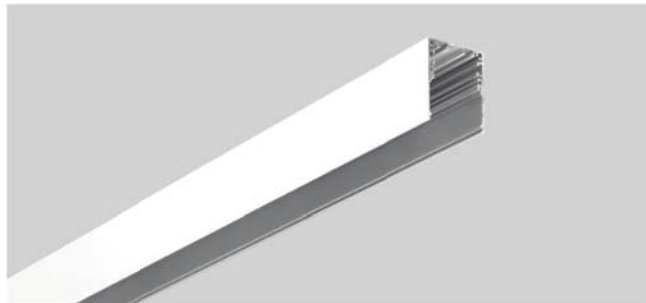


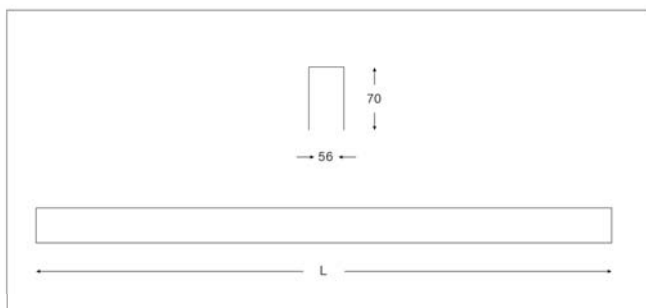
# LIT-SYS LM55

The linear indoor lighting system offers versatile design options with various light inserts and dynamic extensions, allowing for customizable and adaptable lighting solutions.

## LIT-SYS LM55 | Linear Systems

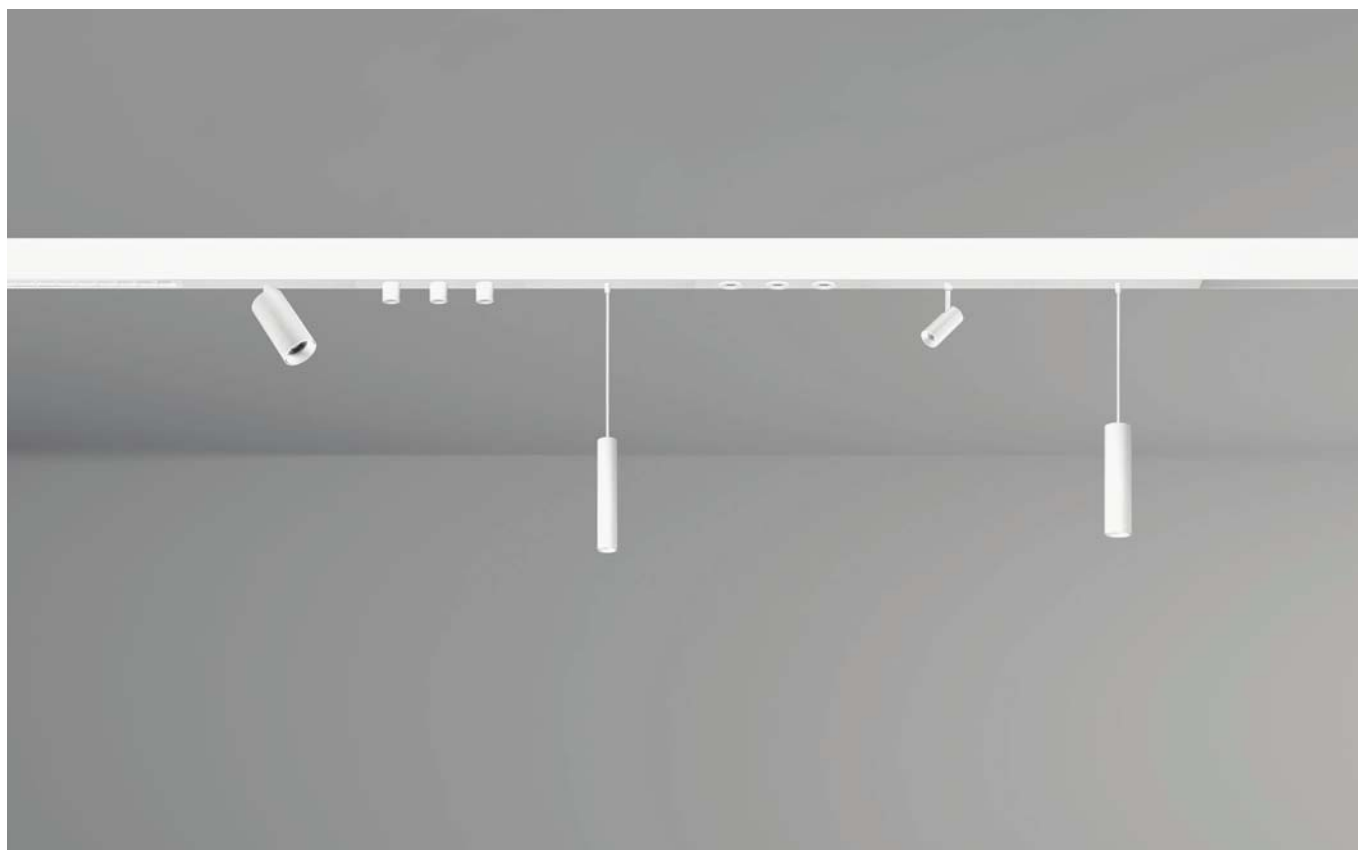


Body material	Aluminium
Dimensions & Weight	H 70mm W 56mm 2.68 kg per 113cm
Colors	Check colors index
Mounting	Surface/Recessed/Suspended



Customizable on request

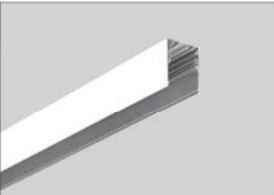
\*Longer lead time

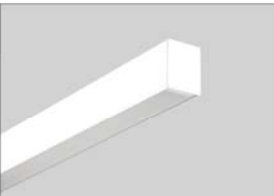


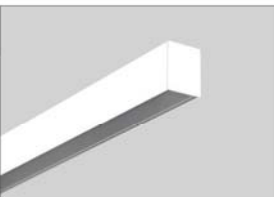
Code	White	Black
X	1	7
Y	2	8


## Accessories

Code	Description	
62026X1	Blank 280mm	

Code	Description	
62027X1	Main profile	

Code	Description	
62028X1	Opal cover	

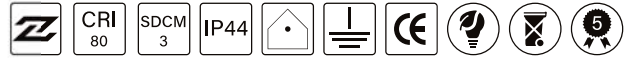
Code	Description	
62029X1	End cap	

Code	Description	
62030XX	Surface installation kit	
62031XX	Suspended installation kit	
62032XX	Recessed installation kit	

# LIT-SYS LM55

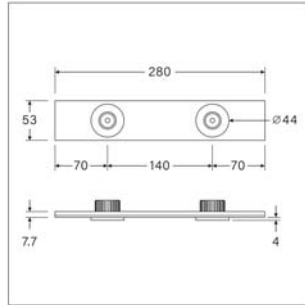
Small and discreet fixed recessed spotlight with a simple design that comes in single, double, or triple inserts.

## LIT-SYS LM55 | Linear Systems



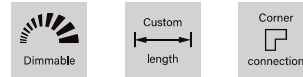
H(m)	Diameter(m)	(lx)
1.0	1.69	1435
2.0	3.38	359
3.0	5.07	159
4.0	6.77	90
5.0	8.46	57

■ C0-C180



Lumen, maintenance & failure rate	L80/B10 >60,000 hrs at 25°C
Body material	Aluminium
Dimensions & Weight	H 29mm W 40mm 0.20 kg
Colors	Check colors index
Diffuser	Clear glass
Power supply	Electronic driver
Mounting	Recessed mounting

### Customizable on request



\*Longer lead time

## LM2100

Code	LED Lumen	Luminaire Lumen	Efficiency	LED Wattage	Color Temperature	Beam angle
6200541	410 lm	295 lm	93.3lm/w	3W	3000k	45°
6200542	440 lm	315 lm	105lm/w	3W	4000k	45°
6200641	2x410 lm	2x295 lm	98.3lm/w	2x3W	3000k	45°
6200642	2x410 lm	2x295 lm	105lm/w	2x3W	4000k	45°
6200741	3x410 lm	3x295 lm	98.3lm/w	3x3W	3000k	45°
6200742	3x410 lm	3x295 lm	105lm/w	3x3W	4000k	45°

Code	White	Black
X	1	7
Y	2	8

# LIT-SYS LM55

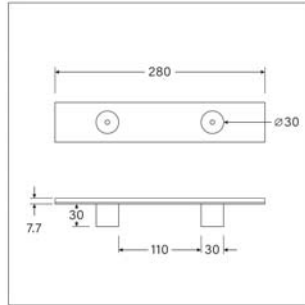
Small and discreet fixed surface spotlight with a simple design that comes in single, double, or triple insets.

LIT-SYS LM55 | Linear Systems



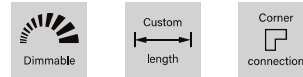
H(m)	Diameter(m)	(lx)
1.0	0.47	1754
2.0	0.94	438
3.0	1.41	195
4.0	1.89	110
5.0	2.36	70

■ C0-C180



Lumen, maintenance & failure rate	L80/B10 >60,000 hrs at 25°C
Body material	Die-cast aluminium body powder coating
Dimensions & Weight	H 29mm W 40mm 0.56 kg
Colors	Check colors index
Diffuser	Optical lens
Power supply	External electronic driver
Mounting	Surface mounting

Customizable on request



\*Longer lead time

## LM4130

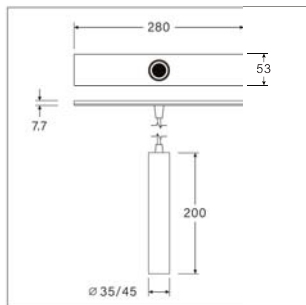
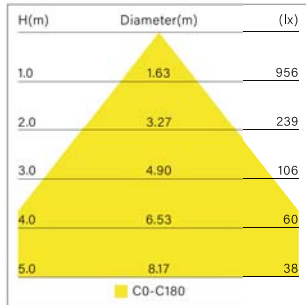
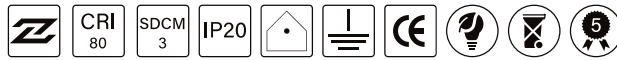
Code	LED Lumen	Luminaire Lumen	Efficiency	LED Wattage	Color Temperature	Beam angle
620081X	165 lm	140 lm	70lm/w	2W	3000k	12°
620081Y	165 lm	140 lm	70lm/w	2W	4000k	12°
620091X	2x165 lm	2x140 lm	70lm/w	2x2W	3000k	12°
620091Y	2x165 lm	2x140 lm	70lm/w	2x2W	4000k	12°
620101X	3x165 lm	3x140 lm	70lm/w	3x2W	3000k	12°
620101Y	3x165 lm	3x140 lm	70lm/w	3x2W	4000k	12°

Code	White	Black
X	1	7
Y	2	8

# LIT-SYS LM55

Cylindrical luminaire that can be suspended at different lengths from the profile.

## LIT-SYS LM55 | Linear Systems



Lumen, maintenance & failure rate	L70/B10 >60,000 hrs at 25°C
Body material	Aluminium body powder coating
Dimensions & Weight	H 200mm D 35/45mm 0.45/0.89 kg
Colors	Check colors index
Diffuser	Optical lens
Power supply	Electronic driver
Mounting	Suspended mounting

Customizable on request

Dimmable

Custom length

Corner connection

\*Longer lead time

### LM4410 D35mm

Code	LED Lumen	Luminaire Lumen	Efficiency	LED Wattage	Color Temperature	Beam Angle
620111X	1100 lm	855 lm	98.3lm/w	8.7W	3000k	20°
620111Y	1125 lm	875 lm	100.6lm/w	8.7W	4000k	20°
620113X	1100 lm	855 lm	98.3lm/w	8.7W	3000k	36°
620113Y	1125 lm	875 lm	100.6lm/w	8.7W	4000k	36°
620114X	1100 lm	855 lm	98.3lm/w	8.7W	3000k	50°
620114Y	1125 lm	875 lm	100.6lm/w	8.7W	4000k	50°

### LM4420 D45mm

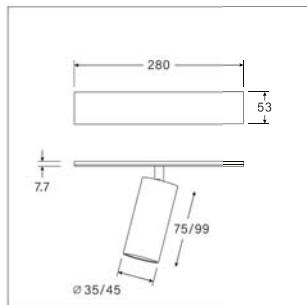
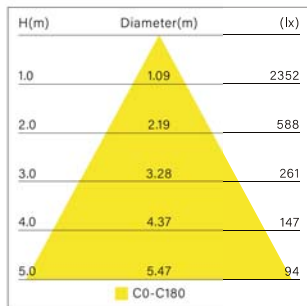
Code	LED Lumen	Luminaire Lumen	Efficiency	LED Wattage	Color Temperature	Beam Angle
620121X	814 lm	735 lm	116.7lm/w	6.3W	3000k	15°
620121Y	825 lm	745 lm	118.2lm/w	6.3W	4000k	15°
620123X	814 lm	735 lm	116.7lm/w	6.3W	3000k	36°
620123Y	825 lm	745 lm	118.2lm/w	6.3W	4000k	36°
620124X	814 lm	735 lm	116.7lm/w	6.3W	3000k	50°
620124Y	825 lm	745 lm	118.2lm/w	6.3W	4000k	50°

Code	White	Black
X	1	7
Y	2	8

# LIT-SYS LM55

Cylindrical, slim projector installed in profile inset. This versatile solution directs light exactly where it's needed.

## LIT-SYS LM55 | Linear Systems



Lumen, maintenance & failure rate	L70/B10 >60,000 hrs at 25°C
Body material	Aluminium body powder coating
Dimensions & Weight	H x D35/45mm      0.15/0.21kg
Colors	Check colors index
Diffuser	Optical lens
Power supply	Electronic driver
Mounting	Suspended/Surface/Recessed

Customizable on request

Dimmable

Custom length

Corner connection

\*Longer lead time

### LM1710 D35mm

Code	LED Lumen	Luminaire Lumen	Efficiency	LED Wattage	Color Temperature	Beam Angle
620132X	410 lm	325 lm	103.2lm/w	3.2W	3000k	24°
620132Y	440 lm	349 lm	110.8lm/w	3.2W	4000k	24°

### LM1720 D45mm

Code	LED Lumen	Luminaire Lumen	Efficiency	LED Wattage	Color Temperature	Beam Angle
620142X	1724 lm	990 lm	76.1lm/w	13.0W	3000k	24°
620142Y	1819 lm	1044 lm	80.3lm/w	13.0W	4000k	24°

Code	White	Black
X	1	7
Y	2	8

# LIT-SYS LM55

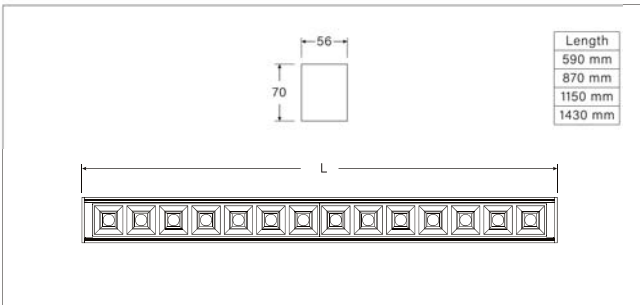
Linear LED lighting system with UGR < 16, a contemporary lighting solution for architectural spaces.

## LIT-SYS LM55 | Linear Systems



H(m)	Diameter(m)	(lx)
1.0	1.78	952
2.0	3.56	238
3.0	5.35	106
4.0	7.13	60
5.0	8.91	38

■ C0-C180



Lumen, maintenance & failure rate	L70/B10 >60,000 hrs at 25°C
Body material	Aluminium body powder coating
Dimensions & Weight	H 70mm W 56mm 3.35 kg per 113cm
Colors	Check colors index
Diffuser	Optical lens
Power supply	Electronic driver
Mounting	Suspended/Surface/Recessed

Customizable on request

Dimmable

Custom length

Corner connection

\*Longer lead time

## LMA550

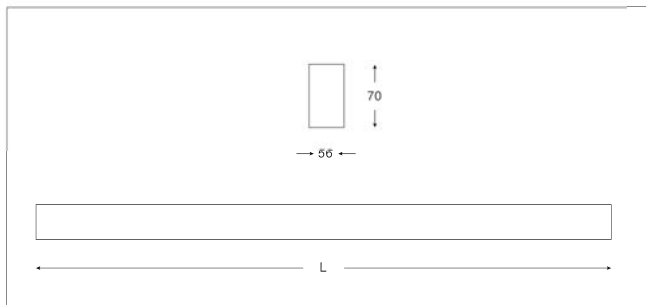
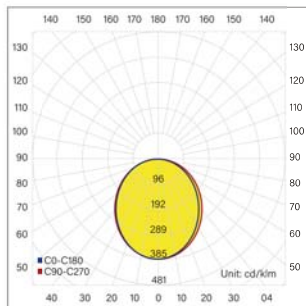
Code	LED Lumen	Luminaire Lumen	Efficiency	LED Wattage	Color Temperature	Length
620169X	2460 lm	2128 lm	158.8lm/w	13.4W	3000k	560mm
620179X	3690 lm	3192 lm	158.8lm/w	20.1W	3000k	840mm
620189X	4920 lm	4256 lm	158.8lm/w	26.8W	3000k	1120mm
620199X	6150 lm	5320 lm	158.8lm/w	33.5W	3000k	1410mm
620169Y	2605 lm	2254 lm	168.2lm/w	13.4W	4000k	560mm
620179Y	3908 lm	3381 lm	168.2lm/w	20.1W	4000k	840mm
620189Y	5210 lm	4508 lm	168.2lm/w	26.8W	4000k	1120mm
620199Y	6513 lm	5635 lm	168.2lm/w	33.5W	4000k	1410mm

Code	White	Black
X	1	7
Y	2	8

# LIT-SYS LM55

Linear LED lighting system with opal diffuser, a contemporary lighting solution for architectural spaces.

## LIT-SYS LM55 | Linear Systems



Lumen, maintenance & failure rate	L70/B10 >60,000 hrs at 25°C
Body material	Aluminium body powder coating
Dimensions & Weight	H 70mm W 56mm 2.69 kg per 113cm
Colors	Check colors index
Diffuser	Optical lens
Power supply	Electronic driver
Mounting	Suspended/Surface/Recessed

Customizable on request

Dimmable

Custom length

Corner connection

\*Longer lead time

## LMD550

Code	LED Lumen	Luminaire Lumen	Efficiency	LED Wattage	Color Temperature	Length
620219X	1894 lm	1015 lm	89.0lm/w	11.4W	3000k	560mm
620229X	2840 lm	1522 lm	89.0lm/w	17.1W	3000k	840mm
620239X	3787 lm	2030 lm	89.0lm/w	22.8W	3000k	1120mm
620249X	4734 lm	2538 lm	89.0lm/w	28.5W	3000k	1410mm
620219Y	1991 lm	1068 lm	93.7lm/w	11.4W	4000k	560mm
620229Y	2987 lm	1602 lm	93.7lm/w	17.1W	4000k	840mm
620239Y	3982 lm	2136 lm	93.7lm/w	22.8W	4000k	1120mm
620249Y	4978 lm	2671 lm	93.7lm/w	28.5W	4000k	1410mm

Code	White	Black
X	1	7
Y	2	8